



MeoForce DF 3x20

Is a small and lightweight aiming scope designed to be used mainly with assault rifles (AR) for its durability and reliability in extreme conditions. The red illuminated reticle allows using the system in various light condition combined with red dot on the top for short distances (CQB) as well as for effective range of weapon system and with additional clip-on NV device during night time operations.

Magnification	3x	
Objective Lens Diameter (mm)	20	
Exit Pupil Diameter (mm)	6.4	
Eye Relief (mm)	65	
Field Of View (°)	7	
Dioptric Correction (D)	-4	4
Focus Range (m)	100	
Measured Integral Transmission Daylight (%)	86	
Measured Integral Transmission Twilight (%)	82	
Recoil Resistance (g)	500	
Vertical range (MOA)	min. 120	
Vertical step/100m (cm)	2.9	
Horizontal range (MOA)	min. 120	
Horizontal step/100m (cm)	2.9	
Reticle Illumination (Y/N)	Y	
Reticle Brightness (cd/m ²)	≥40	
No. Of Intensity Levels (Day/Night)	8/4	
Power Supply (V)	1.5 ÷ 3.6 (1xAA)	
Battery Lifetime* (hrs)	min. 300	
Automatic Shut Down (Y/N/hrs)	Y/8	
Operational Temperature Range (°C)	-40	+60
Storage Temperature Range (°C)	-45	+71
Moisture Resistance [+23/+40°C] (%)	80/98	
Water Resistance (m/hrs)	2/2	
Dimensions** L x H x W (mm)	140x67x64	
Weight*** (g)	445	

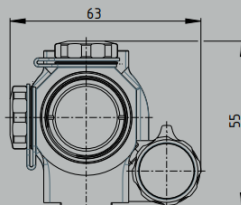
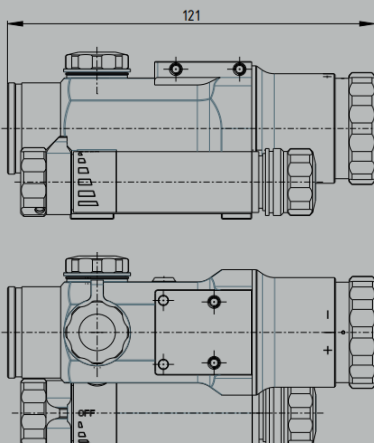
FEATURES

- **MEOBRIGHT**
- **MEODROP**
- **SHOCK RESISTANCE**
- **WATERPROOF**
- **NITROGEN PURGED**
- **NIGHT VISION COMPATIBILITY**

* 1pc - LR6 1.5 V, size AA 2400 mAh and ambient temperature +20°C, 12th level of intensity

** With mounts and covers, eyepiece extended max. pos.

*** With mounts, covers and battery

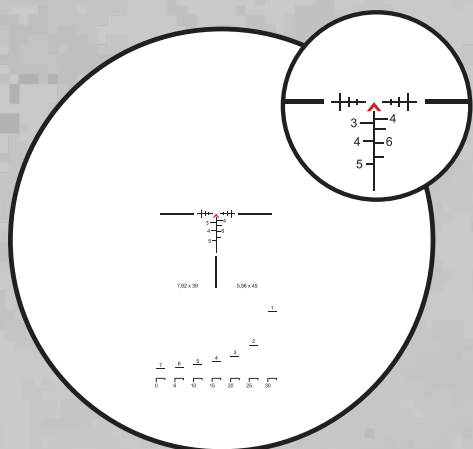


MEOPTA SYSTEMS s.r.o.
Kabelíkova 1, 750 02 Přerov
Česká republika

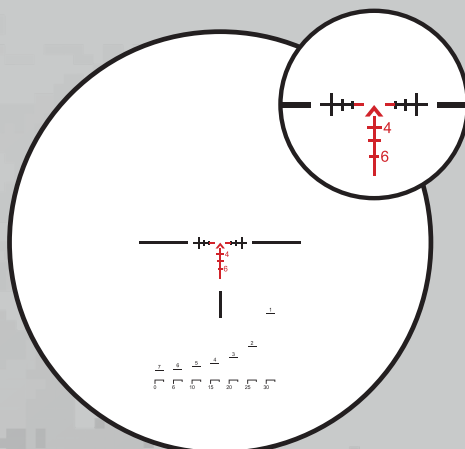
Telefon: +420 581 241 111
E-mail: meopta@meopta.com
www.meopta.com



TYPE OF RETICLES



COMPACT MULTICAL



COMPACT TACTICAL 1



MEOPTA SYSTEMS s.r.o.
Kabelíkova 1, 750 02 Přerov
Česká republika

Telefon: +420 581 241 111
E-mail: meopta@meopta.com
www.meopta.com