

MeoDot DFX Micro1

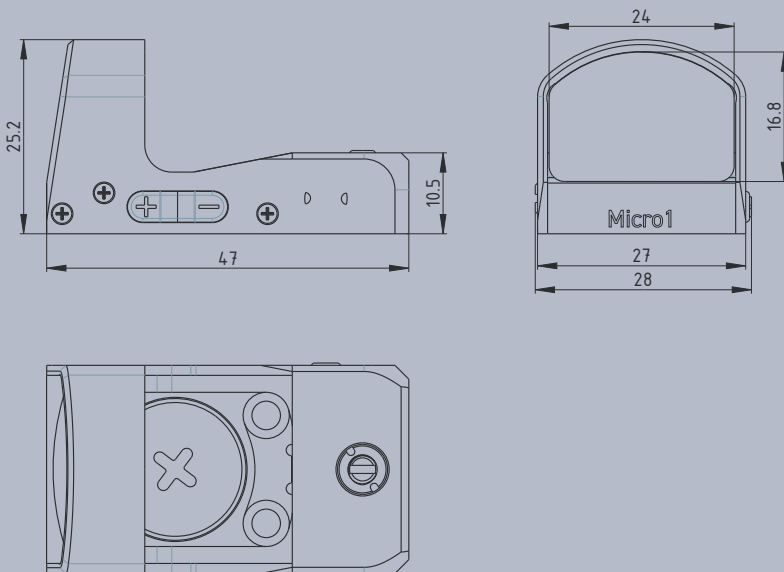
Compact reflex sight designed for pistol. Also can be used as back up optical sight (BUOS) for rifles fitted with main riflescope with high magnification like sniper rifles (SR) or designated marksman rifles (DMR) on the top of the front mounts ring or angled picatinny rail. It's very thin frame allows the operator to have a good overview with both eyes open of a target zone blocking very limited part of field of view. Also can be mount as optical sight for shot gun.

FEATURES

- ➔ **WATERPROOF**
- ➔ **SHOCKPROOF**
- ➔ **MEOBRIGHT**
- ➔ **MEODROP**

Magnification	1x	
Objective Diameter (mm)	24x17	
Dot Brightness* (cd/m ²)	65 000	
Vertical range (MOA)	100	
Rectification - Vertical step (MOA)	35/360°	
Horizontal range (MOA)	100	
Rectification - Horizontal step (MOA)	35/360°	
Recoil Resistance (g)	800	
Dot Size/color (MOA)	≤3/Red	
Dot Illumination Levels (Day/Night)	Continuous	
Manual Intesity Mode (Y/N)	Y	
Power Supply (Type/V)	3 (1xCR 1632)	
Battery Lifetime** (hrs)	30 000	
Motion sensor (Y/N/g)	Y/0.1	
Automatic Shut Down (Y/N/hrs)	Y/14	
Operational Temperature Range (°C)	-25	+60
Storage Temperature Range (°C)	-35	+71
Moisture Resistance [+23/+40°C] (%)	92	
Water Resistance (m/hrs)	1/0.5	
Dimensions L x H x W*** (mm)	47 x 49 x 28	
Weight**** (g)	60	

- * max. intensity level day, ambient temperature +20°C
- ** 1pc - 3 V, size CR 1632, 140 mAh and ambient temperature +20°C, 2nd day level of intensity
- *** With mount
- **** With mount and battery



MEOPTA SYSTEMS s.r.o.
Kabelíkova 1, 750 02 Přeřov
Česká republika

Telefon: +420 581 241 111
E-mail: meopta@meopta.com
www.meopta.com



MEOPTA SYSTEMS s.r.o.
Kabelíkova 1, 750 02 Přerov
Česká republika

Telefon: +420 581 241 111
E-mail: meopta@meopta.com
www.meopta.com



MeoDot DF Xm

Compact reflex sight designed for weapon systems as assault rifles (AR) or submachine guns (SMG). With outstanding optical performance and tough housing to accompany you for any mission. Rugged, easy to operate with 2 MOA red dot predetermines it to be fitted to any semi or full auto rifles as primary optical sight. With the magnifier module or attached night vision device allows accurate shooting at short and medium distances day and night.

Magnification	1x	
Objective Lens Diameter (mm)	22	
Dot Brightness* (cd/m ²)	min. 600 000	
Vertical range (MOA)	min. 120	
Rectification - Vertical step (MOA)	0.5	
Horizontal range (MOA)	min. 120	
Rectification - Horizontal step (MOA)	0.5	
Measured Integral Transmission Daylight (%)	88	
Measured Integral Transmission Twilight (%)	88	
Recoil Resistance (g)	500	
Dot Size/color (MOA)	2/Red	
Dot Illumination Levels (Day/Night)	6/5	
Manual Intensity Mode (Y/N)	Y	
Power Supply (Type/V)	3 (1xCR 2032)	
Battery Lifetime** (hrs)	80 000	
Motion sensor (Y/N/g)	N	
Automatic Shut Down (Y/N/hrs)	Y/8	
Operational Temperature Range (°C)	-40	+60
Storage Temperature Range (°C)	-45	+71
Moisture Resistance [+23/+40°C] (%)	80/98	
Water Resistance (m/hrs)	2/2	
Dimensions*** L x H x W (mm)	96x66x46	
Weight**** (g)	185	

FEATURES

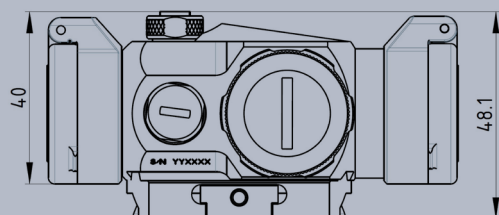
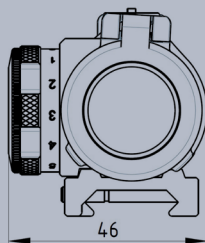
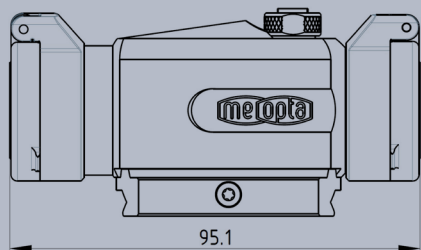
- **WATERPROOF**
- **SHOCKPROOF**
- **FOGPROOF**
- **NIGHT VISION COMPATIBILITY**
- **NITROGEN PURGED**

* max. (6) intensity level day, ambient temperature +20°C

** 1pc - 3 V, size CR 2032, 800 mAh and ambient temperature +20°C, 2nd day level of intensity

*** With mount and covers

**** With high mount (35,5mm), covers, honeycomb filter and batteries



MEOPTA SYSTEMS s.r.o.
Kabelíkova 1, 750 02 Přeřov
Česká republika

Telefon: +420 581 241 111
E-mail: meopta@meopta.com
www.meopta.com





MEOPTA SYSTEMS s.r.o.
Kabelíkova 1, 750 02 Píeroov
Česká republika

Telefon: +420 581 241 111
E-mail: meopta@meopta.com
www.meopta.com



MeoDot DF Tm3

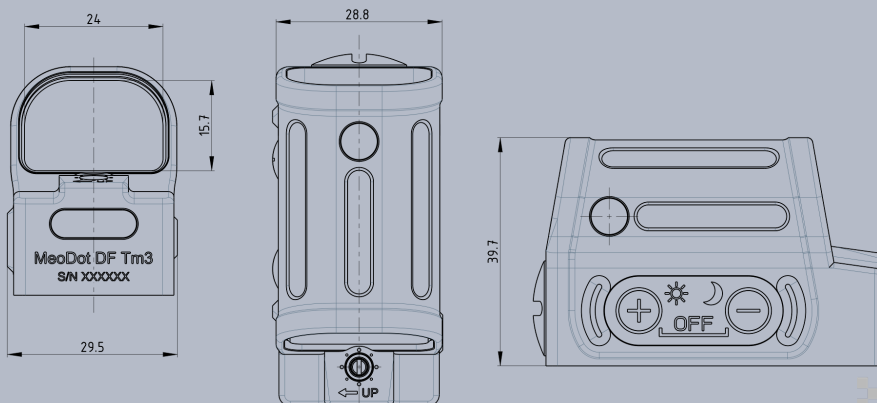
Compact reflex sight designed for shorter barrel weapon systems as assault rifles (AR) or submachine guns (SMG). It's very thin frame allows the operator to have a good overview with both eyes open of a target zone blocking very limited part of field of view. Also can be used as back up optical sight (BUOS) for rifles fitted with main riflescope with high magnification like sniper rifles (SR) or designated marksman rifles (DMR) on the top of the front mounts ring or angled picatinny rail. Battery case in the front of the device ensure quick battery replacement.

Magnification	1x	
Objective Lens Diameter (mm)	15.8x23.6	
Dot Brightness* (cd/m ²)	min. 100 000	
Vertical range (MOA)	min. 120	
Rectification - Vertical step (MOA)	20/360°	
Horizontal range (MOA)	min. 120	
Rectification - Horizontal step (MOA)	20/360°	
Recoil Resistance (g)	500	
Dot Size/color (MOA)	3/Red	
Dot Illumination Levels (Day/Night)	8/8	
Manual Intensity Mode (Y/N)	Y	
Power Supply (Type/V)	3 (1xCR 2)	
Battery Lifetime** (hrs)	min. 50 000	
Motion sensor (Y/N/g)	Y/0.1	
Automatic Shut Down (Y/N/hrs)	Y/15	
Operational Temperature Range (°C)	-40	+60
Storage Temperature Range (°C)	-45	+71
Moisture Resistance [+23/+40°C] (%)	80/98	
Water Resistance (m/hrs)	2/2	
Dimensions*** L x H x W (mm)	62x56x33	
Weight**** (g)	145	

FEATURES

- **WATERPROOF**
- **SHOCKPROOF**
- **MEOBRIGHT**
- **MEODROP**
- **NITROGEN PURGED**
- **NIGHT VISION COMPATIBILITY**

- * max. intensity level day, ambient temperature +20°C
- ** 1pc - 3 V, size CR 2, 800 mAh and ambient temperature +20°C, 2nd day level of intensity
- *** With mount
- **** With mount and battery



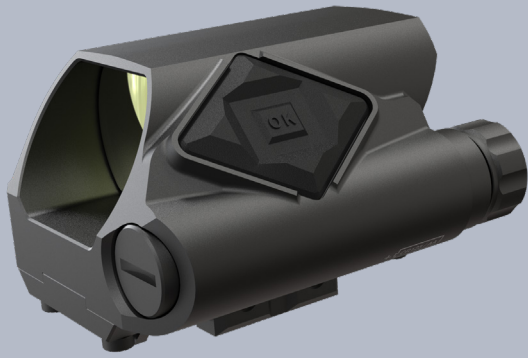
MEOPTA SYSTEMS s.r.o.
Kabelíkova 1, 750 02 Přeřov
Česká republika

Telefon: +420 581 241 111
E-mail: meopta@meopta.com
www.meopta.com



MEOPTA SYSTEMS s.r.o.
Kabelíkova 1, 750 02 Přerov
Česká republika

Telefon: +420 581 241 111
E-mail: meopta@meopta.com
www.meopta.com



MeoDot DF D

MeoDot DF D is unique aiming system allowing the use of several aiming marks with electronics ballistics and rectification settings for a specific weapon system and caliber. Reflex sight is designed for fast and accurate aiming of weapon systems as assault rifle (AR), submachine guns (SMG) or light machine guns (LMG). With the magnifier module or attached night vision device allows accurate shooting at short and medium distances day and night in semi-automatic or full-auto firing mode. Device is equipped with dual battery case.

FEATURES

- **WATERPROOF**
- **SHOCKPROOF**
- **MEOBRIGHT**
- **MEODROP**
- **NITROGEN PURGED**
- **NIGHT VISION COMPATIBILITY**

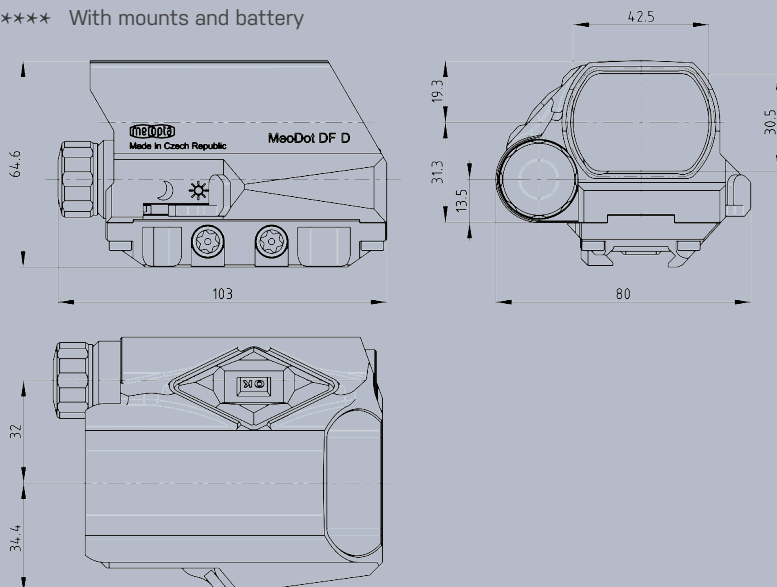
Magnification	1x	
Objective Lens Diameter (mm)	30x42	
Dot Brightness* (cd/m ²)	min. 10 000	
Vertical range (MOA)	min. 50	
Rectification - Vertical step (cm)	1.6	
Horizontal range (MOA)	min. 50	
Rectification - Horizontal step (cm)	1.6	
Measured Integral Transmission Daylight (%)	min. 68	
Measured Integral Transmission Twilight (%)	min. 88	
Recoil Resistance (g)	500	
Dot Size/color (MOA)	1.5 (3)/Red	
Dot Illumination Levels (Day/Night)	7/7	
Manual Intensity Mode (Y/N)	Y	
Power Supply (Type/V)	1.5 ÷ 3 (1xAA/1xCR123)	
Battery Lifetime** (hrs)	min. 250	
Motion sensor (Y/N/g)	Y/0.1	
Automatic Shut Down (Y/N/hrs)	Y/8	
Operational Temperature Range (°C)	-40	+60
Storage Temperature Range (°C)	-45	+71
Moisture Resistance [+23/+40°C] (%)	80/98	
Water Resistance (m/hrs)	2/2	
Dimensions*** L x H x W (mm)	103x64.6x80	
Weight**** (g)	515	

* max. intensity level day, ambient temperature +20°C

** 1pc - 3 V, size AA or CR 123 2400 mAh and ambient temperature +20°C, medium level of intensity, aiming point is Dot

*** With mounts

**** With mounts and battery

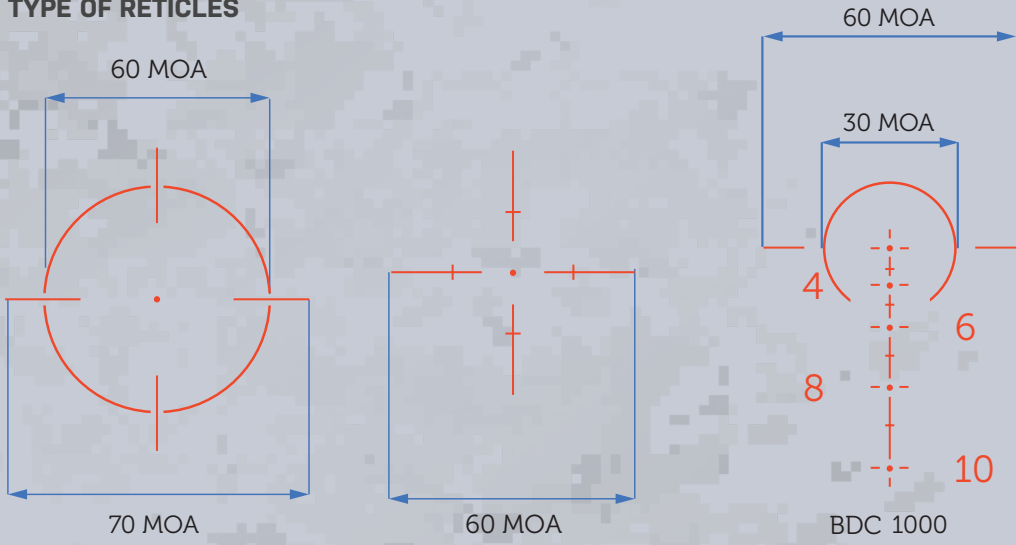


MEOPTA SYSTEMS s.r.o.
Kabelíkova 1, 750 02 Přeřov
Česká republika

Telefon: +420 581 241 111
E-mail: meopta@meopta.com
www.meopta.com



TYPE OF RETICLES



1.5 MOA

3 MOA



MEOPTA SYSTEMS s.r.o.
 Kabelíkova 1, 750 02 Přerov
 Česká republika

Telefon: +420 581 241 111
 E-mail: meopta@meopta.com
 www.meopta.com



MeoDot DF Tm4

MeoDot DF Tm4 is unique aiming system allowing the use of several aiming marks with electronics ballistics and rectification settings for a specific weapon system and caliber. Reflex sight is designed for fast and accurate aiming of weapon systems as assault rifle (AR) or submachine guns (SMG). With the magnifier module or attached night vision device allows accurate shooting at short and medium distances day and night in semi-automatic or full-auto firing mode.

Magnification	1x	
Objective Lens Diameter (mm)	15,8x26,3	
Rectification - Vertical Range (MOA)	min 80	
Rectification - Vertical Step (cm)	2,1	
Rectification Horizontal Range (MOA)	min 80	
Rectification - Horizontal Step (cm)	2,1	
Measured Integral Light Transmission Daylight (%)	≥ 80	
Measured Integral Light Transmission Twilight (%)	≥ 92	
Recoil Resistance (g)	400	
Reticle Types - in red color	Dot 1.5, 3, 5 MOA Circle 60 MOA with 2 MOA Dot Cross 50 MOA Cross 60 MOA with 2 MOA Dot 4 types of BDC Reticles	
Dot Illumination Levels (Day/Night)	7/7	
Manual Intensity Mode (Y/N)	Y	
Power Supply (Type/V)	CR123 / 3	
Battery Lifetime** (hrs)	min 220	
Motion Sensor	YES	
Automatic Shut Down (Y/N/hrs)	Y / 8	
Operational Temperature Range (°C)	-40	+60
Storage Temperature Range (°C)	-45	+71
Moisture Resistance [+23/+40°C] (%)	80/98	
Water Resistance (m/hrs)	4/2	
Dimensions*** L x H x W (mm)	67x43x35	
Weight**** (g)	150	

FEATURES

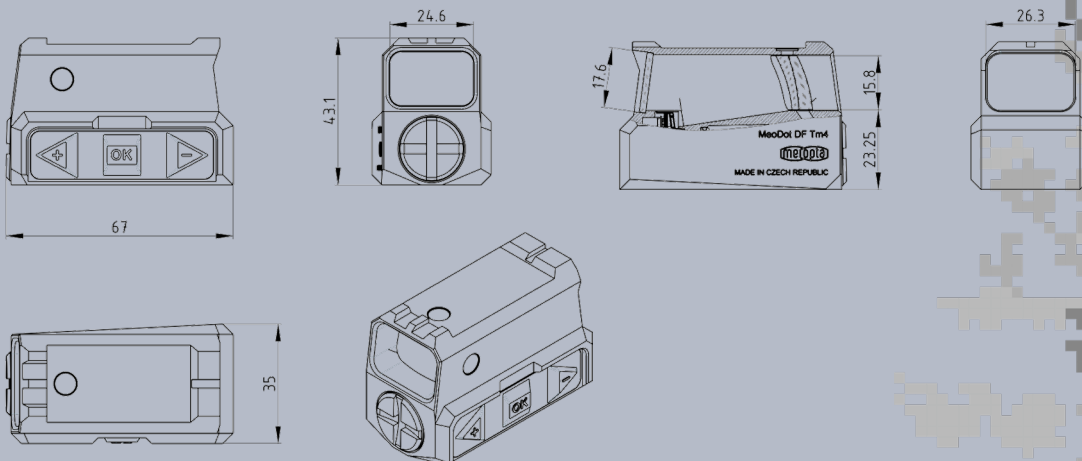
- **WATERPROOF**
- **SHOCKPROOF**
- **FOGPROOF**
- **MEOBRIGHT**
- **MEODROP**
- **NITROGEN PURGED**
- **OLED DISPLAY**
- **ELECTRONIC RECTIFICATIONS**
- **ADJUSTABLE BDC RETICLES**
- **EXCELLENT OPTICAL PERFORMANCE**

* For Aiming reticle DOT 3 MOA

** For Aiming reticle DOT 1.5 MOA and use the 9-th brightness level (the 2-nd lowest daily) of aiming reticle setting

*** without mount

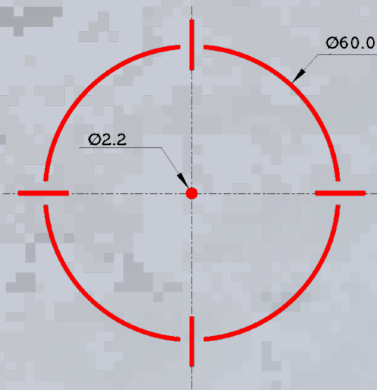
**** without mount, with battery



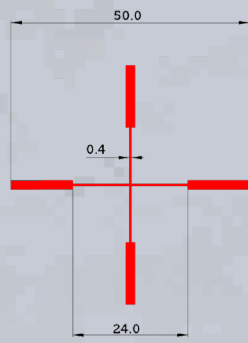
MEOPTA SYSTEMS s.r.o.
Kabelíkova 1, 750 02 Píerov
Česká republika

Telefon: +420 581 241 111
E-mail: meopta@meopta.com
www.meopta.com

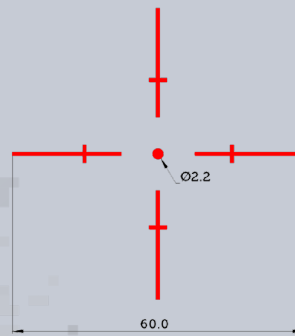
CIRCLE 60 MOA



CROSS 50 MOA



CROSS 60 MOA



1.5 MOA



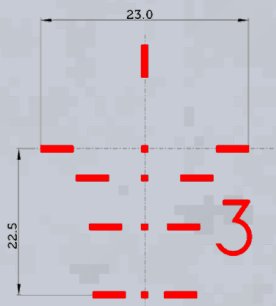
3 MOA



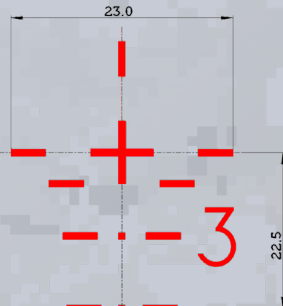
5 MOA



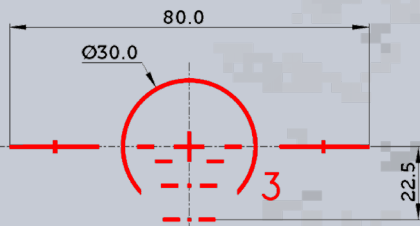
BDC 400-1
(CALIBER 4.6x30, BULLET 30 gr - 1)



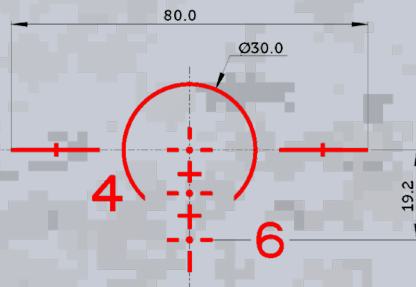
BDC 400-2
(CALIBER 4.6x30, BULLET 30 gr - 1)



BDC 400-3
(CALIBER 4.6x30, BULLET 30 gr - 1)



BDC 600
(CALIBER 7.62 NATO, BULLET 146 gr 810)



MEOPTA SYSTEMS s.r.o.
Kabelíkova 1, 750 02 Píerov
Česká republika

Telefon: +420 581 241 111
E-mail: meopta@meopta.com
www.meopta.com



MeoBoost DF 3

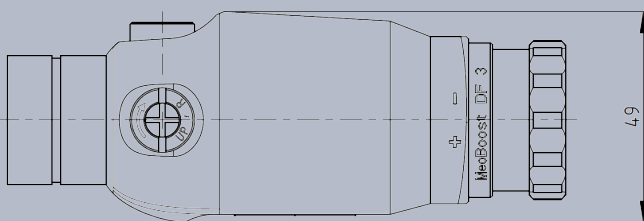
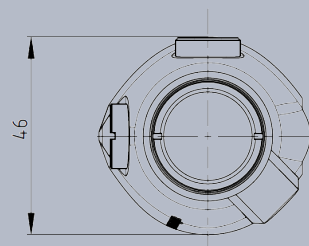
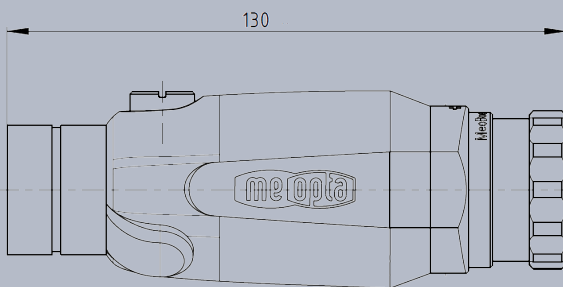
The magnifying module with flip mount is ideal solution for weapon systems with red dot sights (AR, SMG, LMG). Allows precise aiming at medium distances and after unfolding also the possibility of direct shooting at short distances (CQB). It can be used also as a monocular spotting system with three times magnification. Magnifier is equipped with rectifiers to set the aiming point to the central position.

Magnification	3x	
Objective Lens Diameter (mm)	20	
Exit Pupil Diameter (mm)	6.4	
Eye Relief (mm)	65	
Field of View (°)	min. 6	
Dioptric Correction (D)	-4	4
Focus Range (m)	20	∞
Measured Integral Transmission Daylight (%)	87	
Measured Integral Transmission Twilight (%)	83	
Vertical range (MOA)	80	
Horizontal range (MOA)	80	
Rectification step	continuous	
Recoil Resistance (g)	500	
Operational Temperature Range (°C)	-40	+60
Storage Temperature Range (°C)	-45	+71
Moisture Resistance [+23/+40°C] (%)	80/98	
Water Resistance (m/hrs)	2/2	
Dimensions* L x H x W (mm)	130x46x49	
Weight** (g)	386	

FEATURES

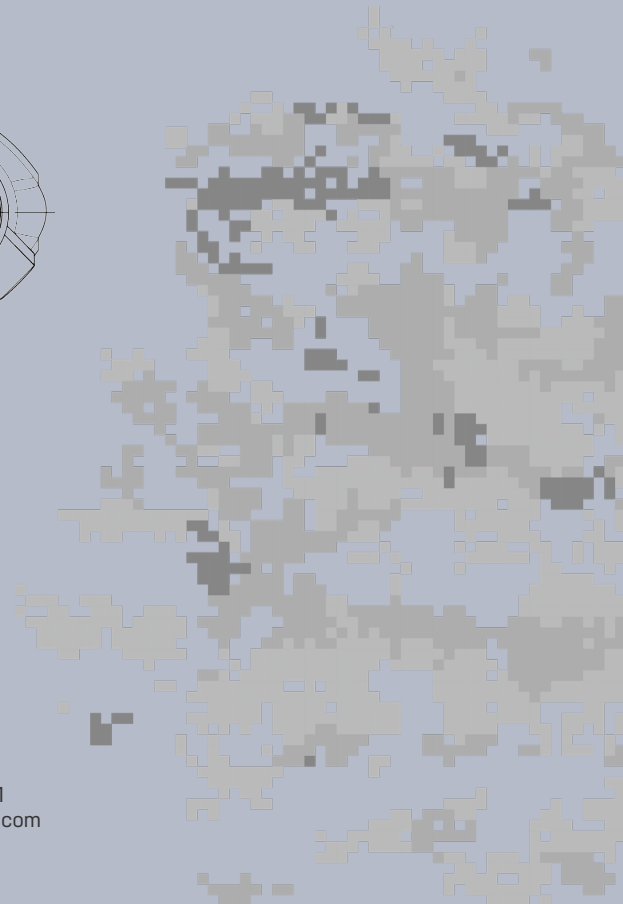
- **MEOBRIGHT**
- **MEODROP**
- **SHOCKPROOF**
- **WATERPROOF**
- **NITROGEN PURGED**

- * With eyepiece extended to max. position
- ** With flip mount and weapon system base



MEOPTA SYSTEMS s.r.o.
Kabelíkova 1, 750 02 Přerov
Česká republika

Telefon: +420 581 241 111
E-mail: meopta@meopta.com
www.meopta.com





MEOPTA SYSTEMS s.r.o.
Kabelíkova 1, 750 02 Přerov
Česká republika

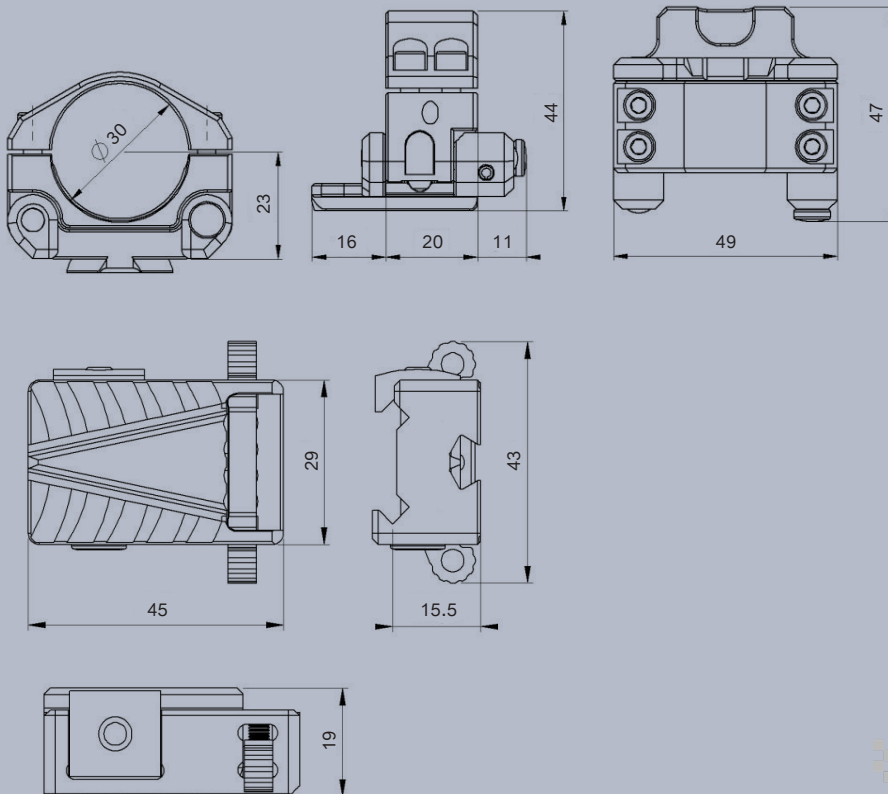
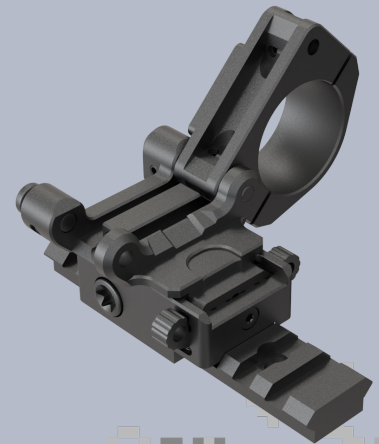
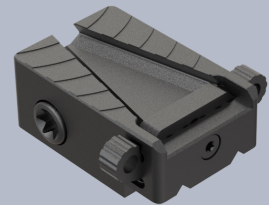
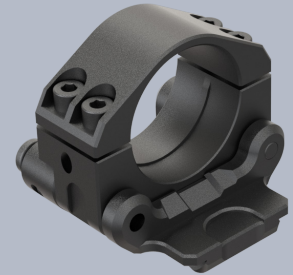
Telefon: +420 581 241 111
E-mail: meopta@meopta.com
www.meopta.com



Flip mount set for MeoBoost DF 3

Flip to side mount with base for quick release with the possibility of quick exchange for night vision clip on device. The entire surface is consistently antireflective. Steel components are treated with special anticorrosive surface.

Environmental Parameters	MIL-STD 810G	
Weapon Mount Torx Size	30	
Side Mount Torx Size	20	
Lens Mount Diameter(mm)	30	
Resistance To Vibrations In Three Axes	XZY 10-500Hz-amplitude 0.35mm, recoil 49g	
Recoil Resistance (g)	500	
Operational Temperature Range (°C)	40	+60
Storage Temperature Range (°C)	-45	+71
Moisture Resistance [+23/+40°C] (%)	80/98	
Salt Mist Resistance 5% NaCl (hrs)	24	
Chemical Resistance	oils, fuels, cleaning agents	
Weapon Mount Dimension L x H x W (mm)	45x19x43	
Weight (g)	59	
Side Mount Dimensions L x H x W (mm)	47x44x49	
Weight (g)	79	



MEOPTA SYSTEMS s.r.o.
Kabelíkova 1, 750 02 Přerov
Česká republika

Telefon: +420 581 241 111
E-mail: meopta@meopta.com
www.meopta.com



MEOPTA SYSTEMS s.r.o.
Kabelíkova 1, 750 02 Přerov
Česká republika

Telefon: +420 581 241 111
E-mail: meopta@meopta.com
www.meopta.com



MeoForce DF 3x20

Is a small and lightweight aiming scope designed to be used mainly with assault rifles (AR) for its durability and reliability in extreme conditions. The red illuminated reticle allows using the system in various light condition combined with red dot on the top for short distances (CQB) as well as for effective range of weapon system and with additional clip-on NV device during night time operations.

Magnification	3x	
Objective Lens Diameter (mm)	20	
Exit Pupil Diameter (mm)	6.4	
Eye Relief (mm)	65	
Field Of View (°)	7	
Dioptric Correction (D)	-4	4
Focus Range (m)	100	
Measured Integral Transmission Daylight (%)	86	
Measured Integral Transmission Twilight (%)	82	
Recoil Resistance (g)	500	
Vertical range (MOA)	min. 120	
Vertical step/100m (cm)	2.9	
Horizontal range (MOA)	min. 120	
Horizontal step/100m (cm)	2.9	
Reticle Illumination (Y/N)	Y	
Reticle Brightness (cd/m ²)	≥40	
No. Of Intensity Levels (Day/Night)	8/4	
Power Supply (V)	1.5 ÷ 3.6 (1xAA)	
Battery Lifetime* (hrs)	min. 300	
Automatic Shut Down (Y/N/hrs)	Y/8	
Operational Temperature Range (°C)	-40	+60
Storage Temperature Range (°C)	-45	+71
Moisture Resistance [+23/+40°C] (%)	80/98	
Water Resistance (m/hrs)	2/2	
Dimensions** L x H x W (mm)	140x67x64	
Weight*** (g)	445	

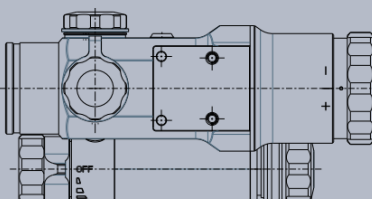
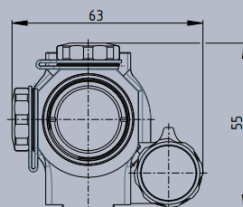
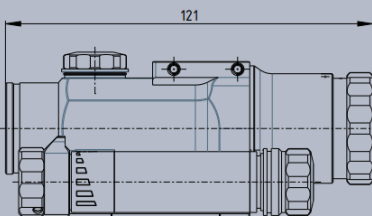
FEATURES

- **MEOBRIGHT**
- **MEODROP**
- **SHOCK RESISTANCE**
- **WATERPROOF**
- **NITROGEN PURGED**
- **NIGHT VISION COMPATIBILITY**

* 1pc - LR6 1.5 V, size AA 2400 mAh and ambient temperature +20°C, 12th level of intensity

** With mounts and covers, eyepiece extended max. pos.

*** With mounts, covers and battery

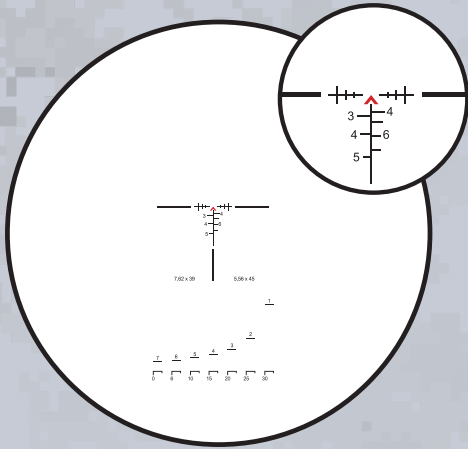


MEOPTA SYSTEMS s.r.o.
Kabelíkova 1, 750 02 Přeřov
Česká republika

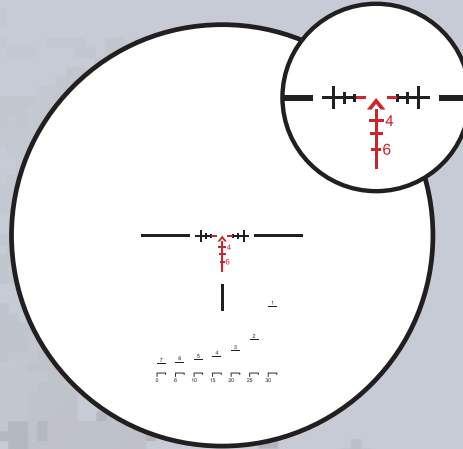
Telefon: +420 581 241 111
E-mail: meopta@meopta.com
www.meopta.com



TYPE OF RETICLES



COMPACT MULTICAL



COMPACT TACTICAL 1



MEOPTA SYSTEMS s.r.o.
Kabelíkova 1, 750 02 Přerov
Česká republika

Telefon: +420 581 241 111
E-mail: meopta@meopta.com
www.meopta.com



MeoForce DF 4x30

Is the extension to the compact riflescope series, MeoForce DF 3x20 and MeoForce DF 5x40. Designed to be used mainly with assault rifles (AR) for its durability and reliability in extreme conditions. The red illuminated reticle allows using the system in various light condition combined with red dot on the top for short distances (CQB) as well as for effective range of weapon system and with additional clip-on NV device during night time operations.

Magnification	4x	
Objective Lens Diameter (mm)	30	
Exit Pupil Diameter (mm)	7.5	
Eye Relief (mm)	65	
Field Of View (°)	5.3	
Dioptric Correction (D)	-4	4
Focus Range (m)	100	
Measured Integral Transmission Daylight (%)	86	
Measured Integral Transmission Twilight (%)	82	
Recoil Resistance (g)	500	
Vertical range (MOA)	min. 100	
Vertical step/100m (cm)	2.5	
Horizontal range (MOA)	min. 100	
Horizontal step/100m (cm)	2.5	
Reticle Illumination (Y/N)	Y	
Reticle Brightness (cd/m ²)	≥40	
No. Of Intensity Levels (Day/Night)	8/4	
Power Supply (V)	1.5 ÷ 3.6 (1xAA)	
Battery Lifetime* (hrs)	min. 300	
Automatic Shut Down (Y/N/hrs)	Y/8	
Operational Temperature Range (°C)	-40	+60
Storage Temperature Range (°C)	-45	+71
Moisture Resistance [+23/+40°C] (%)	80/98	
Water Resistance (m/hrs)	2/2	
Dimensions** L x H x W (mm)	167 x 67 x 64	
Weight*** (g)	510	

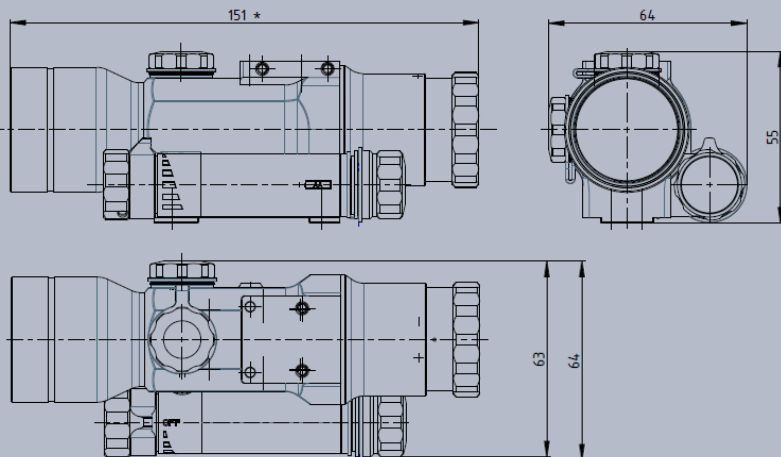
FEATURES

- **MEOBRIGHT**
- **MEODROP**
- **SHOCK RESISTANCE**
- **WATERPROOF**
- **NITROGEN PURGED**
- **NIGHT VISION COMPATIBILITY**

* 1pc - LR6 1.5 V, size AA 2400 mAh and ambient temperature +20°C, 11th level of intensity

** With mounts and covers, eyepiece extended max. pos.

*** With mounts, covers and battery

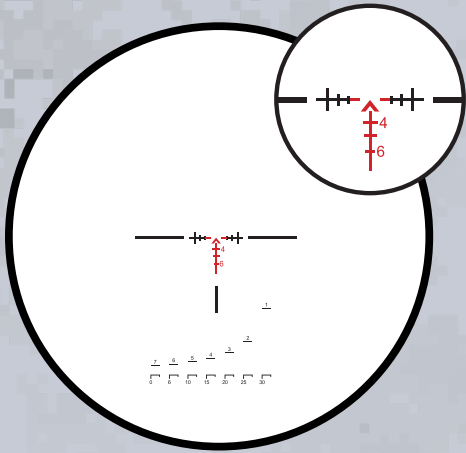


MEOPTA SYSTEMS s.r.o.
Kabelíkova 1, 750 02 Přerov
Česká republika

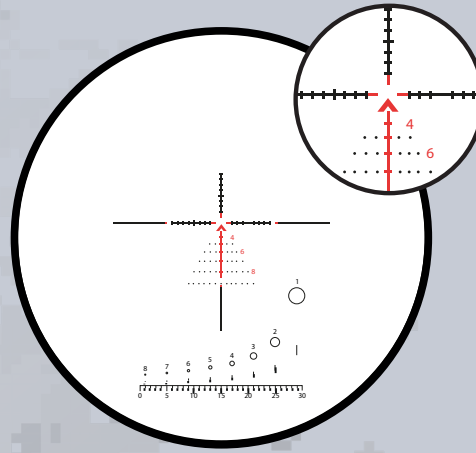
Telefon: +420 581 241 111
E-mail: meopta@meopta.com
www.meopta.com



TYPE OF RETICLES



COMPACT TACTICAL 1



COMPACT TACTICAL TREE



MEOPTA SYSTEMS s.r.o.
Kabelíkova 1, 750 02 Přerov
Česká republika

Telefon: +420 581 241 111
E-mail: meopta@meopta.com
www.meopta.com



MeoForce DF 5x40

Is an excellent tool for your missions, designed to be used mainly with long barrel rifles, LMG, DMR, for its durability and reliability in extreme conditions as well as for assault rifles (AR) with callibres of efective range up to 800m. The red illuminated reticle allows using the system in various light condition combined with red dot on the top for short distances (CQB) as well as for efective range of weapon system and with additional clip-on NV device during night time operations.

Magnification	5x	
Objective Lens Diameter (mm)	40	
Exit Pupil Diameter (mm)	7.2	
Eye Relief (mm)	65	
Field of View (°)	4	
Dioptric Correction (D)	-4	4
Focus Range (m)	100	
Measured Integral Transmission Daylight (%)	86	
Measured Integral Transmission Twilight (%)	82	
Recoil Resistance (g)	500	
Vertical range (MOA)	min. 80	
Vertical step/100m (cm)	2	
Horizontal range (MOA)	min. 80	
Horizontal step/100m (cm)	2	
Reticle Illumination (Y/N)	Y	
Reticle Brightness (cd/m ²)	≥40	
No. Of Intensity Levels (Day/Night)	8/4	
Power Supply (V)	1.5 ÷ 3.6 (1xAA)	
Battery Lifetime* (hrs)	min. 300	
Automatic Shut Down (Y/N/hrs)	Y/8	
Operational Temperature Range (°C)	-40	+60
Storage Temperature Range (°C)	-45	+71
Moisture Resistance [+23/+40°C] (%)	80/98	
Water Resistance (m/hrs)	2/2	
Dimensions** L x H x W (mm)	212 x 82 x 64	
Weight*** (g)	575	

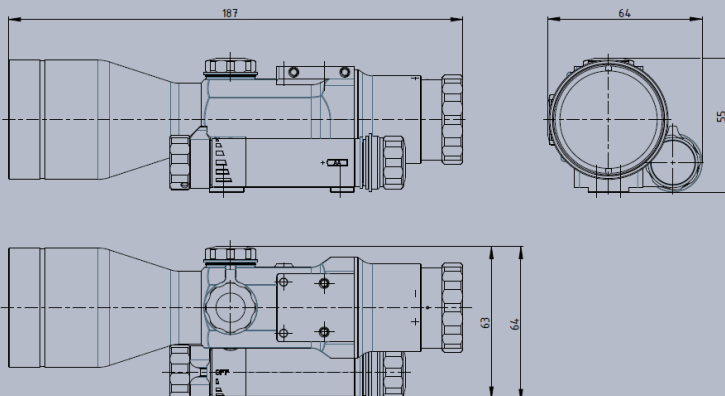
FEATURES

- **MEOBRIGHT**
- **MEODROP**
- **SHOCK RESISTANCE**
- **WATERPROOF**
- **NITROGEN PURGED**
- **NIGHT VISION COMPATIBILITY**

* 1pc - LR6 1.5 V, size AA 2400 mAh and ambient temperature +20°C, 11th level of intensity

** With mounts and covers, eyepiece extended to max. pos.

*** With mounts, covers and battery

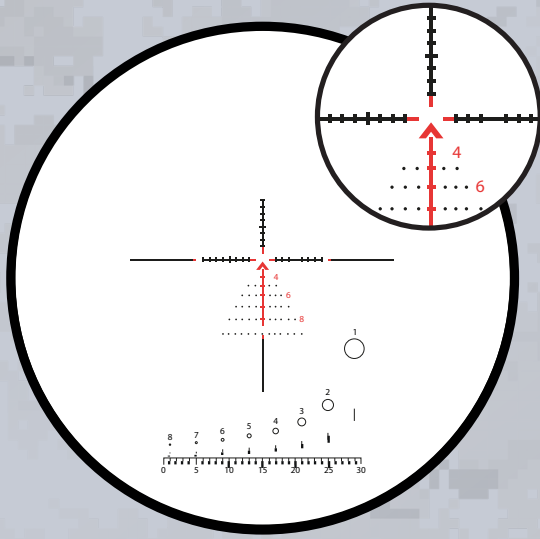


MEOPTA SYSTEMS s.r.o.
Kabelíkova 1, 750 02 Přeřov
Česká republika

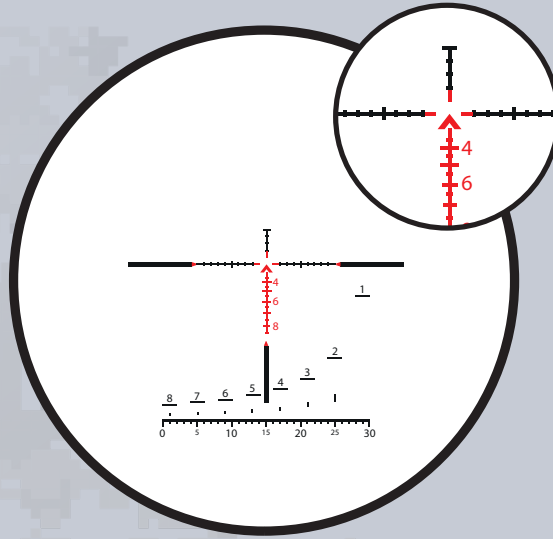
Telefon: +420 581 241 111
E-mail: meopta@meopta.com
www.meopta.com



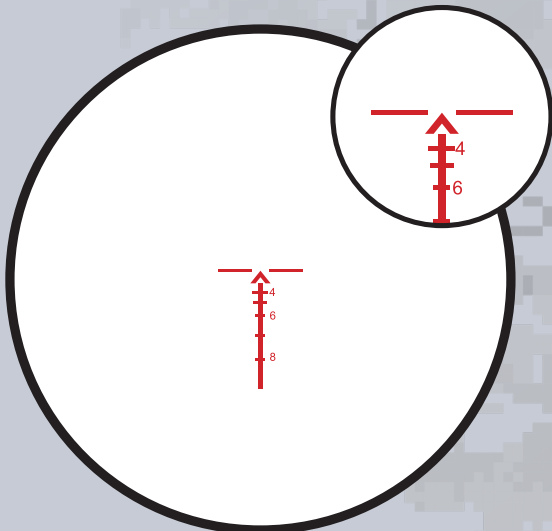
TYPE OF RETICLES



COMPACT TACTICAL TREE



COMPACT TACTICAL 2



COMPACT BDC





MeoForce DF 1-4x22

MeoForce DF 1-4x22 is designed for use on assault rifles (AR) or submachine guns (SMG) of different calibres and with available reticle is ideally suited for close quarter (CQB) to middle range scenarios. The red illuminated reticle allows using the system in various light condition.

Magnification	1x	4x
Objective Lens Diameter (mm)	22	
Exit Pupil Diameter (mm)	13.2	5.5
Eye Relief (mm)	min. 80	
Main Tube Size (mm)	30	
Field Of View (°)	19.3	5.3
Field Of View (m/100m)	36.4	9
Focal Plane Position*	2	
Dioptric Correction (D)	-3	+3
Parallax Correction (m)	100	
Measured Integral Transmission Daylight (%)	94	
Measured Integral Transmission Twilight (%)	92	
Recoil Resistance (g)	500	
Vertical range (MOA)	min. 100	
Vertical step/100m (MOA)	0.5	
Horizontal range (MOA)	min. 100	
Horizontal step/100m (MOA)	0.5	
Reticle Illumination (Y/N)	Y	
Reticle Brightness** (cd/m ²)	min. 5 000	
No. Of Intensity Levels (Day/Night)	7 (3/4)	
Power Supply (V)	3 (CR2354/CR2032)	
Battery Lifetime*** (hrs)	min. 600	
Automatic Shut Down (Y/N/hrs)	Y/3	
Operational Temperature Range (°C)	-40	+50
Storage Temperature Range (°C)	-45	+71
Moisture Resistance [+23/+40°C] (%)	80/98	
Water Resistance (m/hrs)	2/2	
Dimensions**** L x H x W (mm)	248x62x80	
Weight***** (g)	548	

* Dimension valid for 4x

** Max. intensity level

*** 1pc - CR 2032 3V and ambient temperature +20°C/medium intensity of luminosity

**** With covers

***** With covers and battery

FEATURES

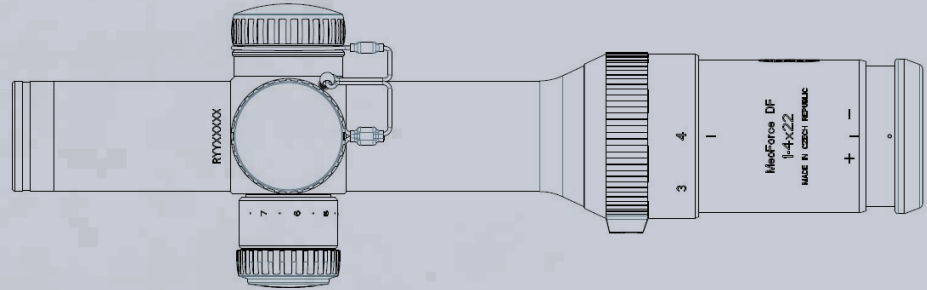
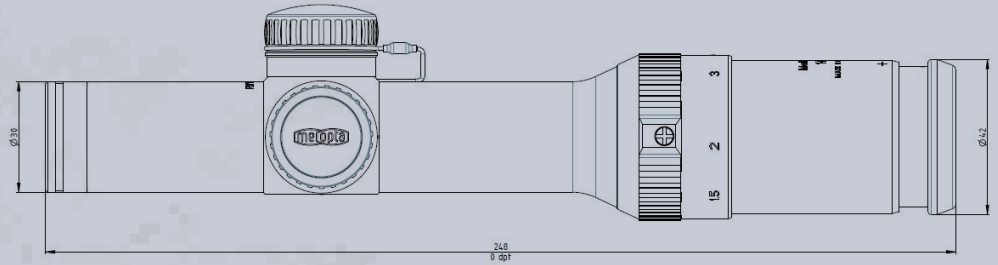
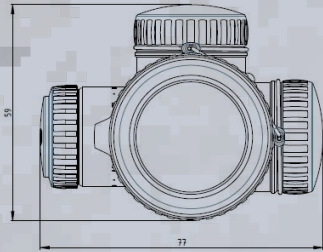
- **MEOBRIGHT**
- **MEOSHIELD**
- **ETCHED GLASS RETICLE**
- **WATERPROOF**
- **FOGPROOF**
- **SHOCKPROOF**
- **NITROGEN PURGED**



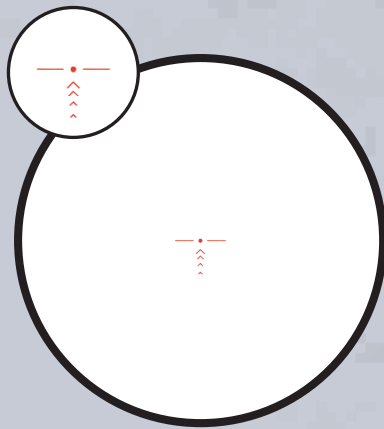
MEOPTA SYSTEMS s.r.o.
Kabelíkova 1, 750 02 Přerov
Česká republika

Telefon: +420 581 241 111
E-mail: meopta@meopta.com
www.meopta.com

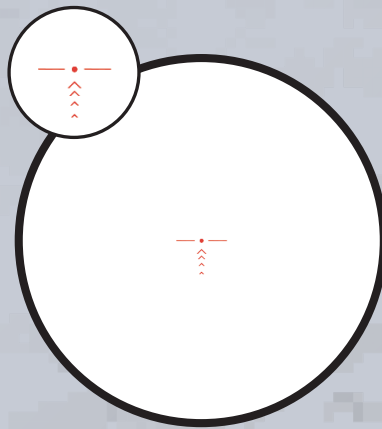




TYPE OF RETICLES



K6-7.62X51



K6-5.56X45

	K6-7.62x51 M80	K6-5.56x45
Dot	100 m	100 m
1. arrow	300 m	300 m
2. arrow	400 m	400 m
3. arrow	500 m	500 m
4. arrow	600 m	600 m



MEOPTA SYSTEMS s.r.o.
Kabelíkova 1, 750 02 Přerov
Česká republika

Telefon: +420 581 241 111
E-mail: meopta@meopta.com
www.meopta.com



MeoForce DF 1-4x22

MeoForce DF 1-4x22 is designed for use on assault rifles (AR) or submachine guns (SMG) of different calibres and with available reticle is ideally suited for close quarter (CQB) to middle range scenarios. The red illuminated reticle allows using the system in various light condition.

Magnification	1x	4x
Objective Lens Diameter (mm)	22	
Exit Pupil Diameter (mm)	13.2	5.5
Eye Relief (mm)	min. 80	
Main Tube Size (mm)	20.6	
Field Of View (m/100m)	36.4	9
Focal Plane Position*	2	
Dioptric Correction (D)	-3	+3
Parallax Correction (m)	100	
Measured Integral Transmission Daylight (%)	94	
Measured Integral Transmission Twilight (%)	92	
Recoil Resistance (g)	500	
Vertical range (MOA)	min. 100	
Vertical step/100m (MOA)	0.5	
Horizontal range (MOA)	min. 100	
Horizontal step/100m (MOA)	0.5	
Reticle Illumination (Y/N)	Y	
Reticle Brightness** (cd/m ²)	min. 5 000	
No. Of Intensity Levels (Day/Night)	7 (3/4)	
Power Supply (V)	3 (CR2354/CR2032)	
Battery Lifetime*** (hrs)	min. 600	
Automatic Shut Down (Y/N/hrs)	Y/3	
Operational Temperature Range (°C)	-40	+50
Storage Temperature Range (°C)	-45	+71
Moisture Resistance [+23/+40°C] (%)	80/98	
Water Resistance (m/hrs)	2/2	
Dimensions**** L x H x W (mm)	248x62x80	
Weight***** (g)	548	

* Dimension valid for 4x

** Max. intensity level

*** With mount and battery

**** 1pc - CR 2032 3V and ambient temperature +20°C/medium intensity of luminosity

***** With covers

***** With covers and battery

FEATURES

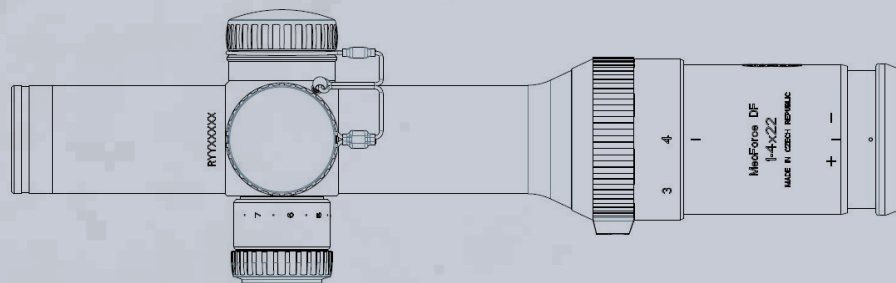
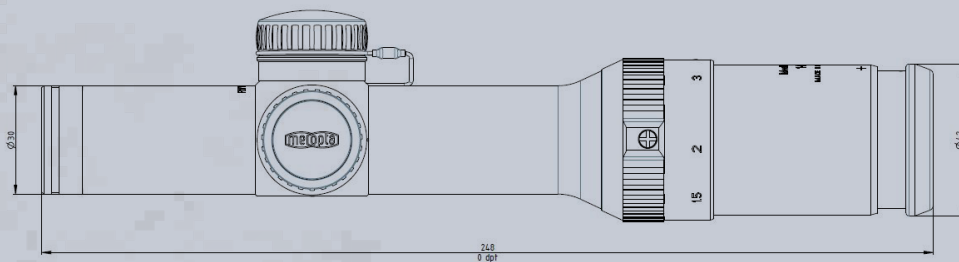
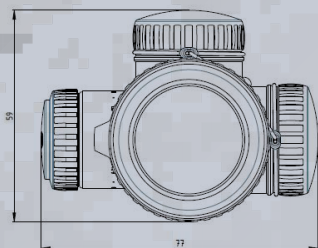
- **MEOBRIGHT**
- **MEOSHIELD**
- **ETCHED GLASS RETICLE**
- **WATERPROOF**
- **FOGPROOF**
- **SHOCKPROOF**
- **NITROGEN PURGED**



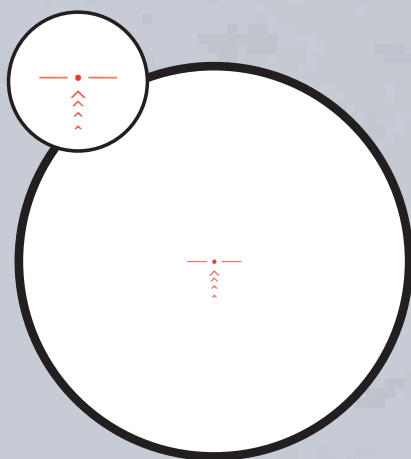
MEOPTA SYSTEMS s.r.o.
Kabelíkova 1, 750 02 Přerov
Česká republika

Telefon: +420 581 241 111
E-mail: meopta@meopta.com
www.meopta.com





**TYPE OF RETICLES
FOR 7.62X51**



7.62 NATO



	7.62x51 NATO M80
Dot	100 m
1. arrow	300 m
2. arrow	400 m
3. arrow	500 m
4. arrow	600 m



MeoForce DF 3-12x50

MeoForce with variable 3-12x magnification is riflescope for designated marksman rifle (DMR) or sniper rifles (SR) which follows current trends and user's requirements to be used along with most of long barrel bolt action or semi auto rifles for medium range engagement. The red illuminated reticle allows using the system in various light condition combined with red dot on the mounts front ring and with additional clip-on NV device during night time operations.

Magnification	3x	12x
Objective Lens Diameter (mm)	50	
Exit Pupil Diameter (mm)	14.4	4.1
Eye Relief (mm)	min. 90	
Main Tube Size (mm)	34	
Field Of View (°)	7	1.77
Field Of View (m/1000m)	12.2	3.1
Focal Plane Position	1	
Dioptric Correction (D)	-3	+3
Parallax Correction (m)	25	∞
Measured Integral Transmission Daylight (%)	92	
Measured Integral Transmission Twilight (%)	90	
Recoil Resistance (g)	500	
Vertical range (MOA)	min. 80	
Vertical step/100m (cm)	1	
Horizontal range (MOA)	min. 40	
Horizontal step/100m (cm)	1	
Reticle Illumination (Y/N)	Y	
Reticle Brightness* (cd/m ²)	min. 10	
No. Of Intensity Levels	8	
Power Supply (V)	3 (CR2354/CR2032)	
Battery Lifetime** (hrs)	min. 500	
Automatic Shut Down (Y/N/hrs)	Y/3	
Operational Temperature Range (°C)	-40	+60
Storage Temperature Range (°C)	-45	+71
Moisture Resistance [+23/+40°C] (%)	80/98	
Water Resistance (m/hrs)	2/2	
Dimensions*** L x H x W (mm)	325x80x105	
Weight**** (g)	970	

* max. intensity level

** 1pc - CR 2354 3V and ambient temperature +20°C/medium intensity of luminosity

*** With covers, exepiece extended to max. pos.

**** With covers and battery

FEATURES

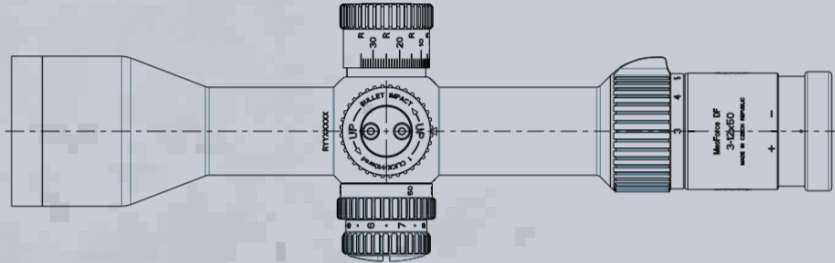
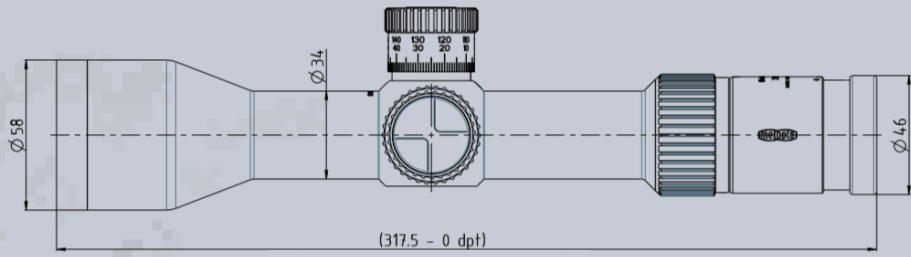
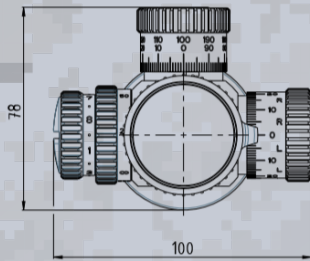
- MEOLUX
- MEOSHIELD
- ZEROSTOP
- ETCHED GLASS RETICLE
- WATERPROOF
- FOGPROOF
- SHOCKPROOF
- NITROGEN PURGED



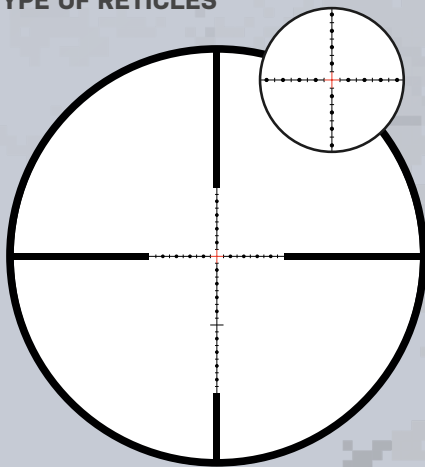
MEOPTA SYSTEMS s.r.o.
Kabelíkova 1, 750 02 Přerov
Česká republika

Telefon: +420 581 241 111
E-mail: meopta@meopta.com
www.meopta.com

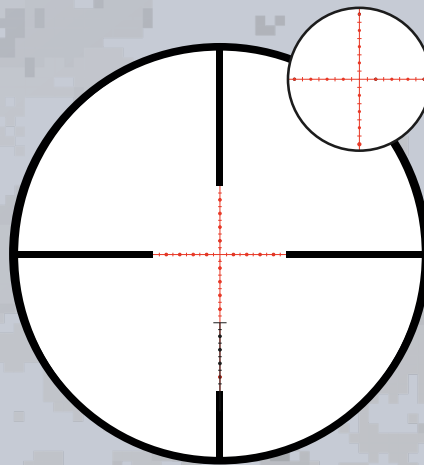




TYPE OF RETICLES



MILDOT 3

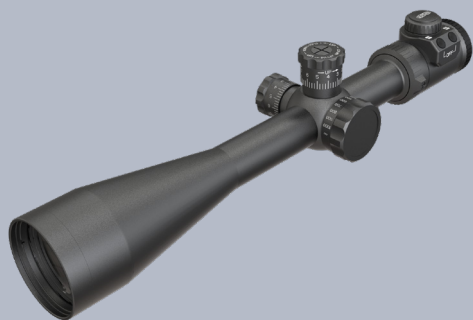


MILDOT 4



MEOPTA SYSTEMS s.r.o.
 Kabelíkova 1, 750 02 Přerov
 Česká republika

Telefon: +420 581 241 111
 E-mail: meopta@meopta.com
 www.meopta.com



MeoForce DF 6-24x56

MeoForce DF 6-24x56 is the most popular tactical Meopta's scope among professional and sport precision shooters. Most suitable for bolt action rifles to engage targets in long range distance, but it will be appreciated also on any other weapons systems where the high precision and reliability is a must. The red illuminated reticle allows using the system in various light condition and with additional clip-on NV device during night time operations.

Magnification	6x	24x
Objective Lens Diameter (mm)	56	
Exit Pupil Diameter (mm)	9.3	2.3
Eye Relief (mm)	min. 80	
Main Tube Size (mm)	30	
Field Of View (°)	3.2	0.88
Field Of View (m/100m)	5.58	1.54
Focal Plane Position*	2	
Dioptic Correction (D)	-3	+3
Parallax Correction (m)	30	∞
Measured Integral Transmission Daylight (%)	91	
Measured Integral Transmission Twilight (%)	86	
Recoil Resistance (g)	500	
Vertical range (MOA)	min. 80	
Vertical step/100m (model MOA)	1/4	
Vertical step/100m (model mrad)	0.1	
Horizontal range (MOA)	min. 30	
Horizontal step/100m (model MOA)	1/4	
Horizontal step/100m (model mrad)	0.1	
Reticle Illumination (Y/N)	Y	
Reticle Brightness** (cd/m ²)	min. 12	
No. Of Intensity Levels (Day/Night)	continuous	
Power Supply (V)	3 (CR2354/CR2032)	
Battery Lifetime*** (hrs)	min. 150	
Automatic Shut Down (Y/N/hrs)	Y/3	
Operational Temperature Range (°C)	-40	+60
Storage Temperature Range (°C)	-45	+71
Moisture Resistance [+23/+40°C] (%)	80/98	
Water Resistance (m/hrs)	2/2	
Dimensions**** L x H x W (mm)	400x81x88	
Weight***** (g)	915	

* MilDot valid for 12x

** Max. intensity level

*** 1pc – CR 2354 3V and ambient temperature +20°C/medium intensity of luminosity

**** With covers

***** With covers and battery

FEATURES

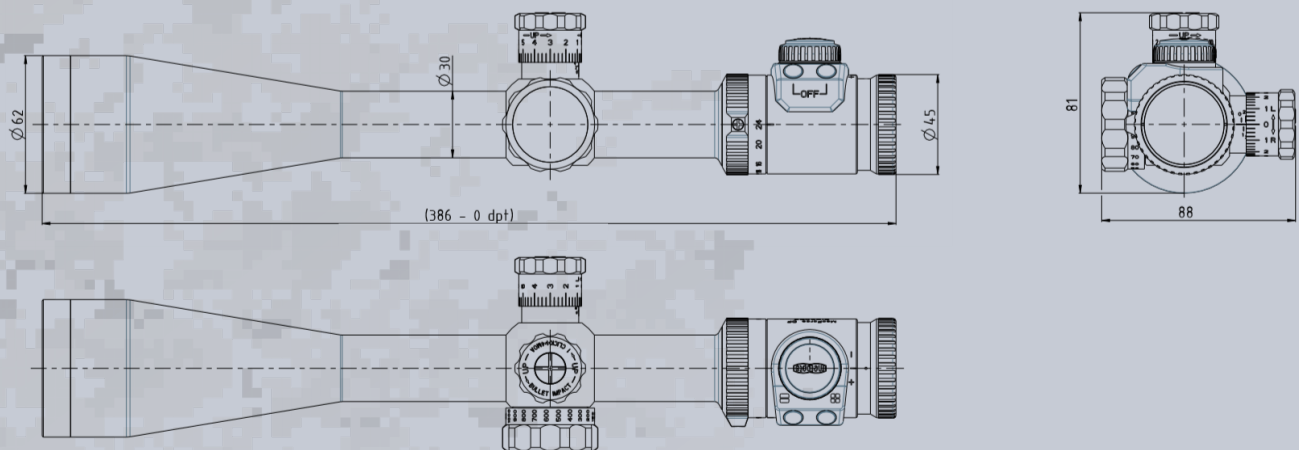
- **MEOBRIGHT**
- **MEOSHIELD**
- **MEOTRACK II VERTICAL AND HORIZONTAL CONTROL**
- **ETCHED GLASS RETICLE**
- **WATERPROOF**
- **FOGPROOF**
- **SHOCKPROOF**
- **NITROGEN PURGED**



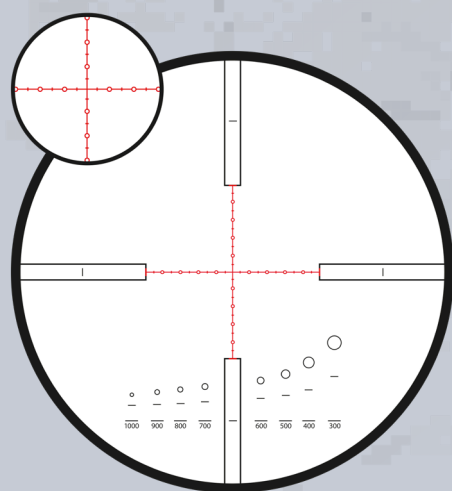
MEOPTA SYSTEMS s.r.o.
Kabelíkova 1, 750 02 Přerov
Česká republika

Telefon: +420 581 241 111
E-mail: meopta@meopta.com
www.meopta.com





TYPE OF RETICLES



MILDOT 2



MEOPTA SYSTEMS s.r.o.
 Kabelíkova 1, 750 02 Přeřov
 Česká republika

Telefon: +420 581 241 111
 E-mail: meopta@meopta.com
 www.meopta.com



MeoForce DF 5-30x56

MeoForce DF 5-30x56 is primarily intended for precision shooting from bolt action sniper rifles (SR) of different calibers for long distances but it will be appreciated also on any other weapons systems where the high precision and reliability is a must. The red illuminated reticle allows using the system in various light condition and with additional clip-on NV device during night time operations.

Magnification	5x	30x
Objective Diameter (mm)	56	
Exit Pupil Diameter (mm)	9.5	1.87
Eye Relief (mm)	min. 90	
Main Tube Size (mm)	34	
Field Of View (°)	4.2	0.7
Field Of View (m/100m)	7.4	1.2
Focal Plane Position	1	
Dioptric Correction (D)	-3.5	+2.5
Parallax Correction (m)	25	∞
Measured Integral Transmission Daylight (%)	min. 90	
Measured Integral Transmission Twilight (%)	min. 87	
Recoil Resistance (g)	500	
Vertical range (MOA)	min. 100	
Vertical step/100m (mrad)	0.1	
Horizontal range (MOA)	min. 55	
Horizontal step/100m (mrad)	0.1	
Reticle Illumination (Y/N)	Y	
Reticle Brightness* (cd/m ²)	min. 24	
No. Of Intensity Levels (Day/Night)	8(7/1)	
Power Supply (V)	3 (CR2450)	
Battery Lifetime** (hrs)	min. 300	
Automatic Shut Down (Y/N/hrs)	Y/3	
Operational Temperature Range (°C)	-40	+60
Storage Temperature Range (°C)	-45	+71
Moisture Resistance [+23/+40°C] (%)	80/98	
Water Resistance (m/hrs)	2/2	
Dimensions*** L x H x W (mm)	426 x 89 x 97	
Weight**** (g)	1095	

- * max. intensity level
- ** 1pc - CR 2354 3V and ambient temperature +20°C/medium intensity of luminosity
- *** Without covers
- **** Without covers with battery

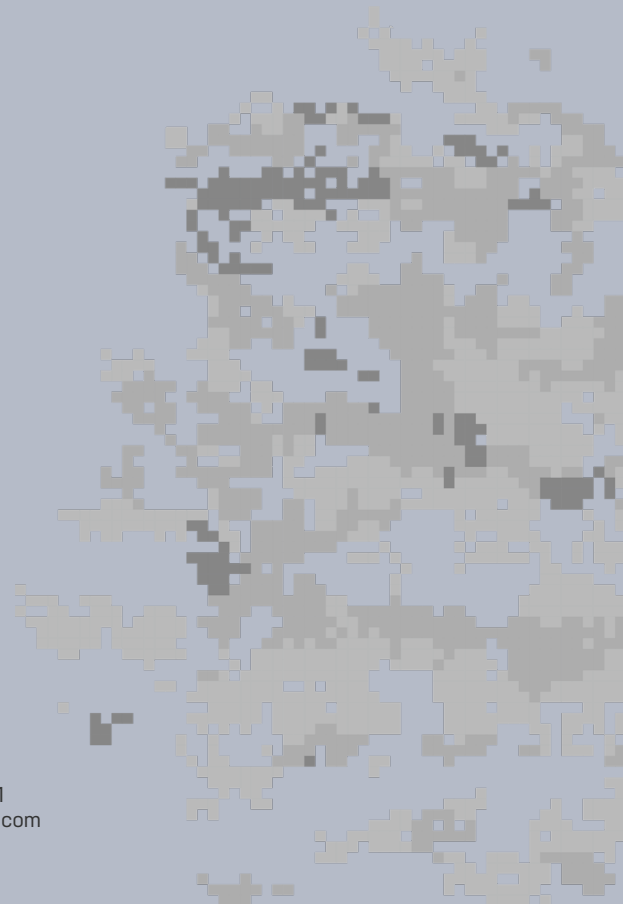
FEATURES

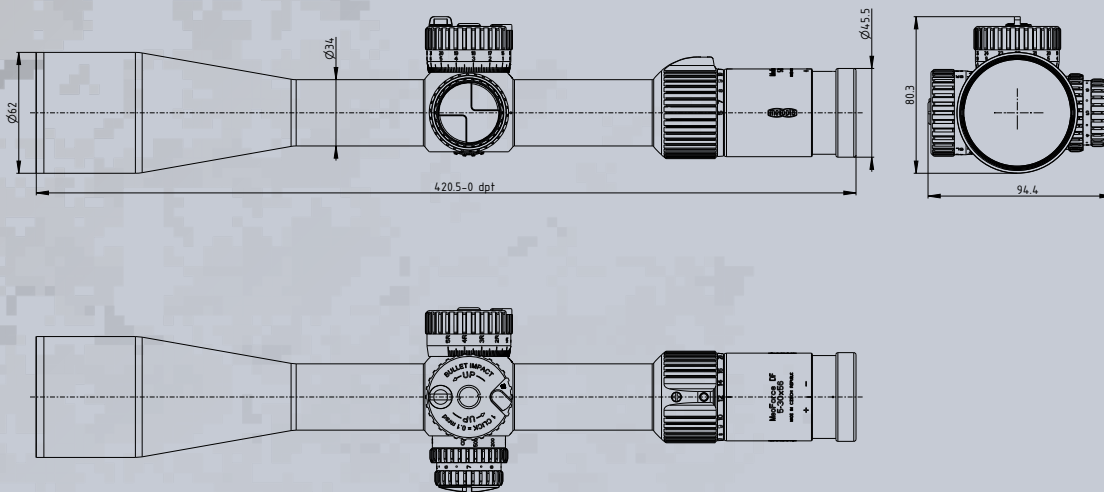
- **MEOBRIGHT**
- **MEOSHIELD**
- **NITROGEN PURGED**
- **ZEROSTOP**
- **ETCHED GLASS RETICLE**
- **WATERPROOF**
- **FOGPROOF**
- **SHOCKPROOF**



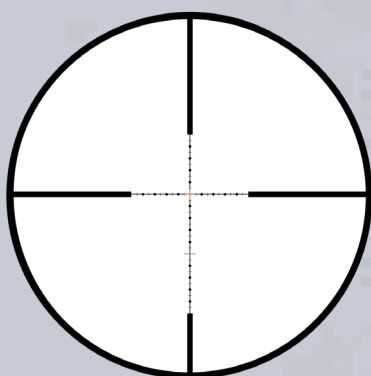
MEOPTA SYSTEMS s.r.o.
Kabelíkova 1, 750 02 Přerov
Česká republika

Telefon: +420 581 241 111
E-mail: meopta@meopta.com
www.meopta.com

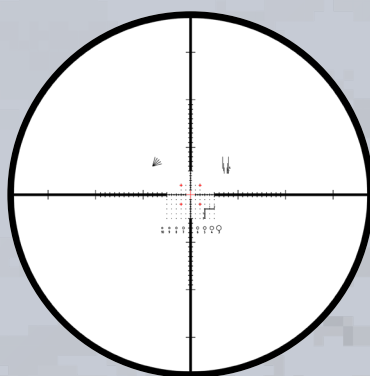




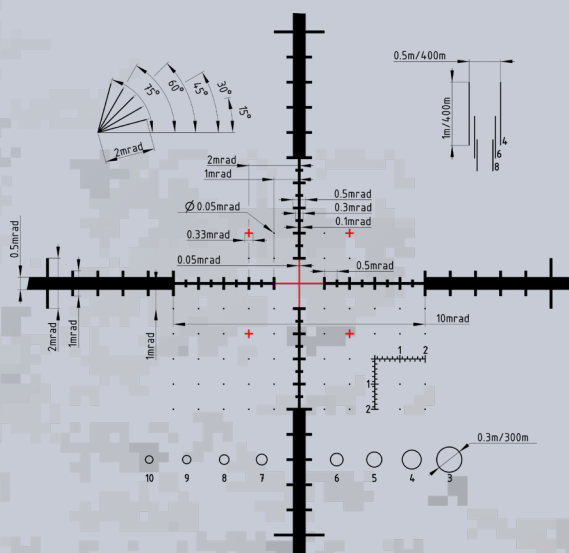
TYPE OF RETICLES



MILDOT 3



MILDOT 5



MEOPTA SYSTEMS s.r.o.
 Kabelíkova 1, 750 02 Píerov
 Česká republika

Telefon: +420 581 241 111
 E-mail: meopta@meopta.com
 www.meopta.com



MeoNox DF 1 Cougar

Night vision device (NVD) with a wide range of use. As a personal NVD could be used for helmet holder or as a night vision clip on device behind day aiming system (red dot sight) eventually as handheld observation device. For shooting during the night at medium and longer distances, NVD could be used with 3x magnifying module. Image intensifier tube (IIT) contains white phosphorus, which guarantees excellent resolution and the quality of transmitted image.

Magnification	1x	
Objective Lens Diameter (mm)	22	
Eye Relief (mm)	25	
Image Intensifier Tube	4G	
Resolution (SOA)	2.5	
Field of View (°)	40	
Dioptric Correction (D)	-4	+3
Focus Range (m)	0.25	∞
Brightness adjustment (S/C)	continuous	
Recoil Resistance (g)	500	
Human DRI* 1x zoom (m)	970/320/175	
Human DRI* 3x zoom (m)	2250/860/450	
Power Supply (V)	1.5 ÷ 3.6 (AA/CR123)	
Battery Lifetime** (hrs)	min. 52	
Motion sensor (Y/N/g)	Y/0.1	
Automatic Shut Down (Y/N/min)	Y/15	
Operational Temperature Range (°C)	-40	+60
Storage Temperature Range (°C)	-45	+71
Moisture Resistance [+23/+40°C] (%)	80/98	
Water Resistance (m/hrs)	2/2	
Dimensions*** L x H x W (mm)	134x57x73	
Weight**** (g)	350	

FEATURES

- **MEOBRIGHT**
- **MEODROP**
- **SHOCK RESISTANT**
- **WATERPROOF**
- **NITROGEN PURGED**

* Coefficient of atmospheric clarity min. 0.8 at 1 km in natural night illumination 5×10^{-3} lx, when observed target (1.7x0.5m) contrast against background is 0.6

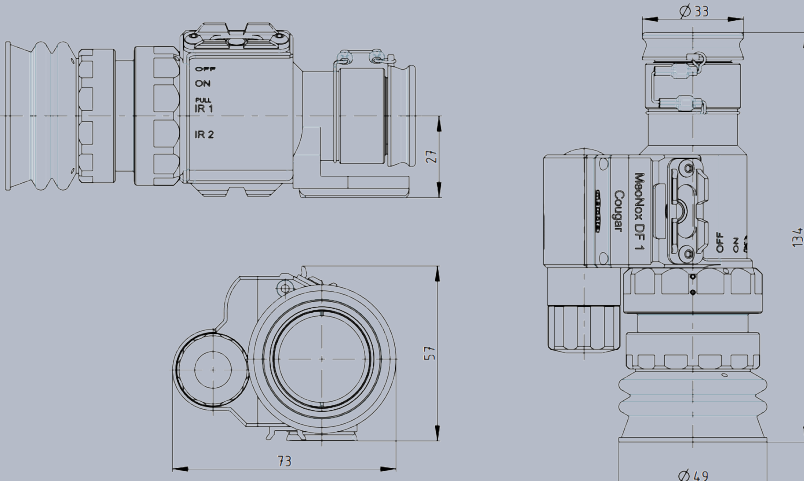
** 1pc - Lithium LS 14500 3.6V, size AA and ambient temperature +20°C

*** With objective and eyepiece covers

**** With covers and battery

(SOA) Second Of Angle

(DRI) Detection, Recognition, Identification



MEOPTA SYSTEMS s.r.o.
Kabelíkova 1, 750 02 Přeřov
Česká republika

Telefon: +420 581 241 111
E-mail: meopta@meopta.com
www.meopta.com



MEOPTA SYSTEMS s.r.o.
Kabelíkova 1, 750 02 Přerov
Česká republika

Telefon: +420 581 241 111
E-mail: meopta@meopta.com
www.meopta.com



MeoNox DF 1 Tarsius

Night vision clip-on attachment MeoNox DF 1 Tarsius is intended to be used in combination with day time riflescopes for weapons to adopt weapon system to a night conditions or it can be used separately as a night vision monocular for night observation with magnification 1x. The clip-on attachment is placed in front of a riflescope by special adapter by using a quick release (MIL-STD-1913) mount. The device is available with image intensifier tubes IIT of all generations.

Magnification	1x	
Objective Lens Diameter (mm)	50	
Image Intensifier Tube	XD-4, XR5, 4G, 4G+	
Resolution (SOA)	≤80	
Field of View (°)	12	
Focus Range (m)	10	∞
Brightness adjustment (S/C)	continuous	
Recoil Resistance (g)	500	
Human DRI* 5x zoom (m)	1900/800/350	
Human DRI* 1x zoom (m)	800/370/350	
Power Supply (V)	3 (1xCR123)	
Battery Lifetime** (hrs)	min. 40	
Automatic Shut Down (Y/N/hrs)	Y/3	
Operational Temperature Range (°C)	-40	+60
Storage Temperature Range (°C)	-45	+71
Moisture Resistance [+23/+40°C] (%)	80/98	
Water Resistance (m/hrs)	2/2	
Dimensions*** L x H x W (mm)	196x60x93	
Weight**** (g)	780	

FEATURES

- **MEOBRIGHT**
- **MEODROP**
- **SHOCK RESISTANT**
- **WATERPROOF**
- **NITROGEN PURGED**
- **EXTERNAL BRIGHT CONTROL**

* Coefficient of atmospheric clarity min. 0.8 at 1 km in natural night illumination 5×10^{-3} lx, when observed target contrast against background is 0.6 - for XD-4 IIT

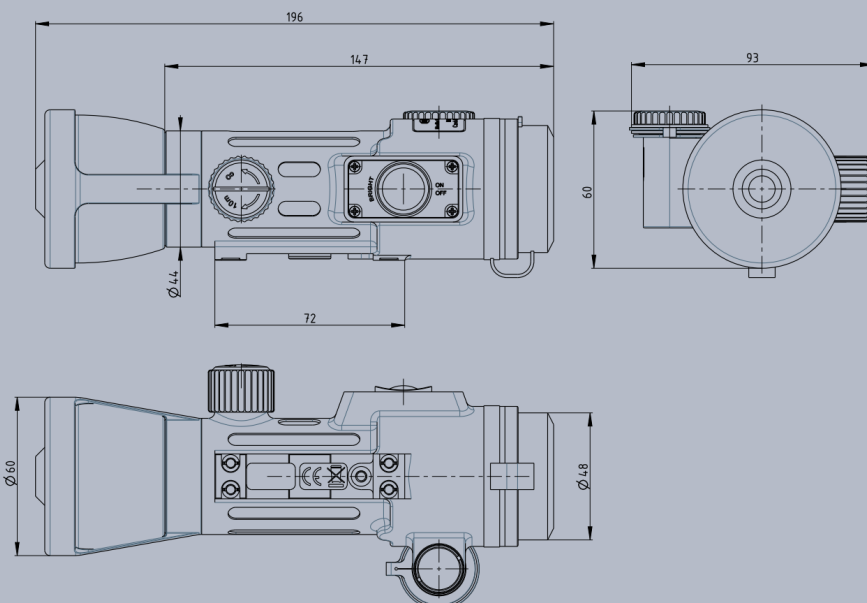
** 1pc - Lithium CR 123 3V and ambient temperature +20°C

*** Without mounts and with covers

**** With covers, mount and battery

(SOA) Second Of Angle

(DRI) Detection, Recognition, Identification



MEOPTA SYSTEMS s.r.o.
Kabelíkova 1, 750 02 Přerov
Česká republika

Telefon: +420 581 241 111
E-mail: meopta@meopta.com
www.meopta.com





MEOPTA SYSTEMS s.r.o.
Kabelíkova 1, 750 02 Přerov
Česká republika

Telefon: +420 581 241 111
E-mail: meopta@meopta.com
www.meopta.com



MeoNox DF 3 Serval

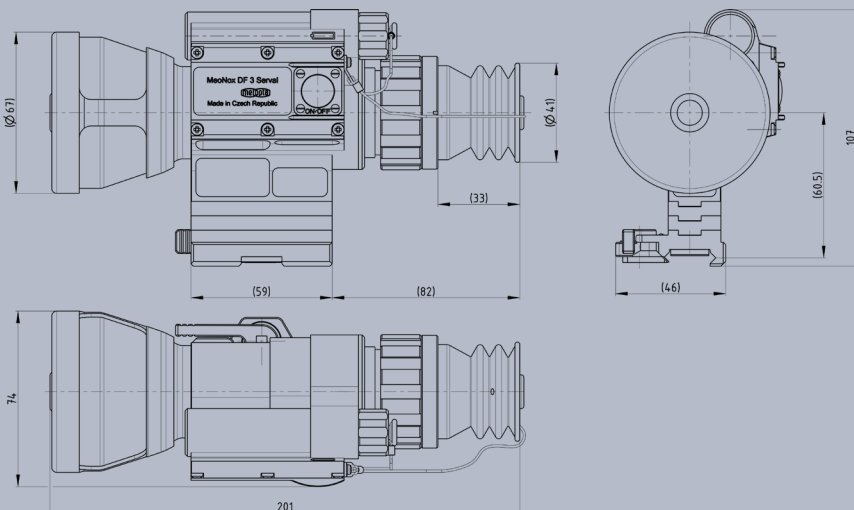
A combination of Meopta's red dot sight ZD-Dot or MeoDot DF 1 and the NV-Mag 3A brings to life a night vision riflescope for precise and quick target acquisition at a night time. A variety of IITs of all generations along with durability, a compact shape, and an integrated MIL-STD-1913 mounting system with spacers for elevation to a shooter's most comfortable position, helps you to choose the best option for your mission. Maximal objective lens diameter together with a lightweight design makes the device suitable for any Auto/Semi Auto long barrel firearm or PDW.

Magnification	3x	
Objective Lens Diameter (mm)	53	
Eye Relief (mm)	35	
Image Intensifier Tube	XD-4, XR5, 4G	
Resolution (SOA)	≤60	
Field of View (°)	min. 14	4
Dioptric Correction (D)	-4	+4
Focus Range (m)	80	∞
Brightness adjustment (S/C)	continuous	
Recoil Resistance (g)	500	
Human DRI* (m)	1150/400/200	
Power Supply (V)	3.6 (1xAA)	
Battery Lifetime** (hrs)	min. 72	
Automatic Shut Down (Y/N/hrs)	Y/3	
Operational Temperature Range (°C)	-40	+60
Storage Temperature Range (°C)	-45	+71
Moisture Resistance [+23/+40°C] (%)	80/98	
Water Resistance (m/hrs)	2/2	
Dimensions*** L x H x W (mm)	201x107x74	
Weight**** (g)	800	

FEATURES

- **MEOBRIGHT**
- **MEODROP**
- **SHOCK RESISTANT**
- **WATERPROOF**
- **NITROGEN PURGED**

- * Coefficient of atmospheric clarity min. 0.8 at 1 km in natural night illumination 5×10^{-3} lx, when observed target contrast against background is 0.6
- ** 1pc - Lithium LS 14500 3.6V, size AA, 2550 mAh and ambient temperature +20°C
- *** With mounts and covers, eyepiece extended to max. position
- **** With mounts, covers and battery
- (SOA) Second Of Angle
- (DRI) Detection, Recognition, Identification



MEOPTA SYSTEMS s.r.o.
Kabelíkova 1, 750 02 Pířerov
Česká republika

Telefon: +420 581 241 111
E-mail: meopta@meopta.com
www.meopta.com





MEOPTA SYSTEMS s.r.o.
Kabelíkova 1, 750 02 Přerov
Česká republika

Telefon: +420 581 241 111
E-mail: meopta@meopta.com
www.meopta.com



MeoNox DF 4 Lynx

The rugged and compact construction together with a multi-purpose quick release interface predetermine the device for various weapons integration. Its remarkable field of view helps user to have a good overview of the engaged area can be fitted with different 18mm IIT (Image Intensifier Tube) up to the highest quality (generation).

Magnification	4x	
Objective Lens Diameter (mm)	59	
Eye Relief (mm)	min. 36	
Image Intensifier Tube	XD-4, XR5, 4G	
Resolution (SOA)	≤60	
Field of View (°)	10	
Dioptric Correction (D)	-4	+3
Focus Range (m)	80	∞
Brightness adjustment (S/C)	continuous	
Reticle Brightness* (cd/m ²)	min. 6	
Recoil Resistance (g)	500	
Human DRI* (m)	1200/400/200	
Vertical range (MOA)	≥60	
Vertical step/100m (MOA)	0.5	
Horizontal range (MOA)	≥60	
Horizontal step/100m (MOA)	0.5	
Reticle Illumination (Y/N)	Y	
Power Supply (V)	min. 1.5 ÷ 3.6	
Battery Lifetime 1.5/3.6V** (hrs)	≥50	≥100
Automatic Shut Down (Y/N)	Y/3	
Operational Temperature Range (°C)	-40	+60
Storage Temperature Range (°C)	-45	+75
Moisture Resistance [+23/+40°C] (%)	80/98	
Water Resistance (m/hrs)	2/2	
Dimensions*** L x H x W (mm)	279x107x79	
Weight**** (g)	1172	

FEATURES

- **MEOBRIGHT**
- **MEODROP**
- **SHOCK RESISTANT**
- **NITROGEN PURGED**

* Coefficient of atmospheric clarity min. 0.8 at 1 km in natural night illumination 5x10⁻³ lx, when observed target contrast against background is 0.6

** 1pc - LR6 1.5 V, Energizer Ultimate Lithium, size AA, 2400 mAh and ambient temperature +20°C
1pc - Lithium LS14500 3.6 V, size AA, 2550 mAh and ambient temperature +20°C

*** With mounts and covers, eyepiece extended to max. position

**** With mounts, covers and battery

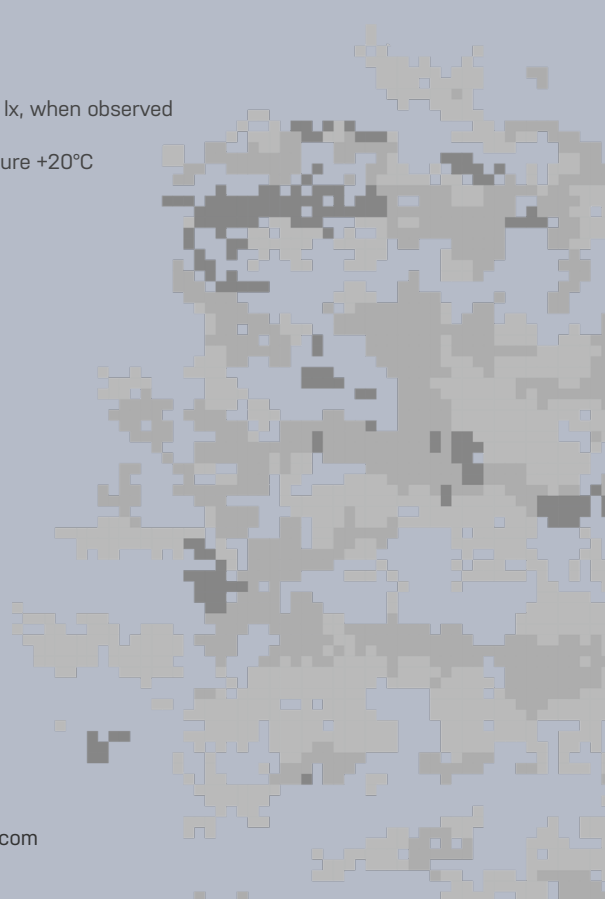
(SOA) Second Of Angle

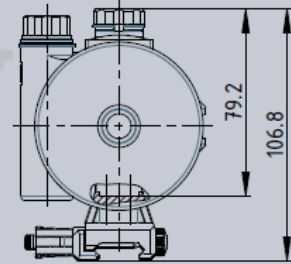
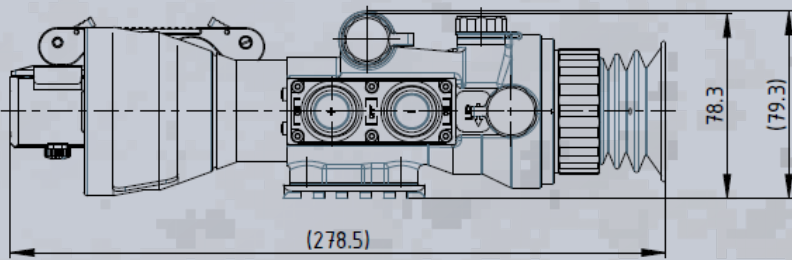
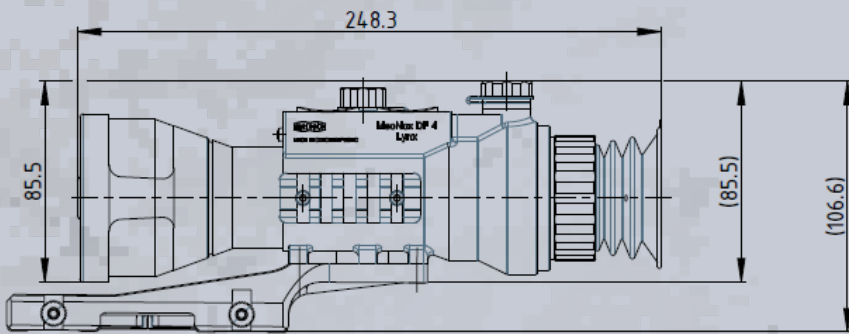
(DRI) Detection, Recognition, Identification



MEOPTA SYSTEMS s.r.o.
Kabelíkova 1, 750 02 Přerov
Česká republika

Telefon: +420 581 241 111
E-mail: meopta@meopta.com
www.meopta.com





MEOPTA SYSTEMS s.r.o.
 Kabelíkova 1, 750 02 Píerov
 Česká republika

Telefon: +420 581 241 111
 E-mail: meopta@meopta.com
 www.meopta.com



MeoGuard DF 8x32

MeoGuard DF binoculars combine superior optical elements in a compact, mechanically robust and ergonomically designed body. 8x32 can be an appropriate aid for observing, whether in an open space or on rugged terrain. The binocular combines outstanding optical properties that ensure a clear image. MeoGuard DF 8x32 is exceptionally resistant to moisture, dust, temperature fluctuation and shocks.

Magnification	8x	
Objective Lens Diameter (mm)	32	
Exit Pupil Diameter (mm)	4	
Eye Relief (mm)	15.5	
Reticle (Y/N)	N	
Field Of View (°)	7.9	
Field Of View (m/1000m)	139	
Dioptric Correction (D)	-3	+3
Minimum Focus Distance (m)	1.7	
Measured Integral Transmission Daylight (%)	min. 87	
Measured Integral Transmission Twilight (%)	min. 83	
Twilight Factor	16	
Interpupillary Distance (mm)	58 - 76	
Recoil Resistance (g)	100	
Operational Temperature Range (°C)	-40	+60
Storage Temperature Range (°C)	-45	+70
Moisture Resistance [+23/+40°C] (%)	80/95	
Water Resistance (m/hrs)	1/2	
Dimensions* L x H x W (mm)	139x50x126	
Weight** (g)	660	

FEATURES

- **MEOBRIGHT**
- **MEODROP**
- **WATERPROOF**
- **FOGPROOF**
- **SHOCK RESISTANCE**
- **NITROGEN PURGED**

* With covers, eyepiece extended max. poss., max. interpupillary dist.

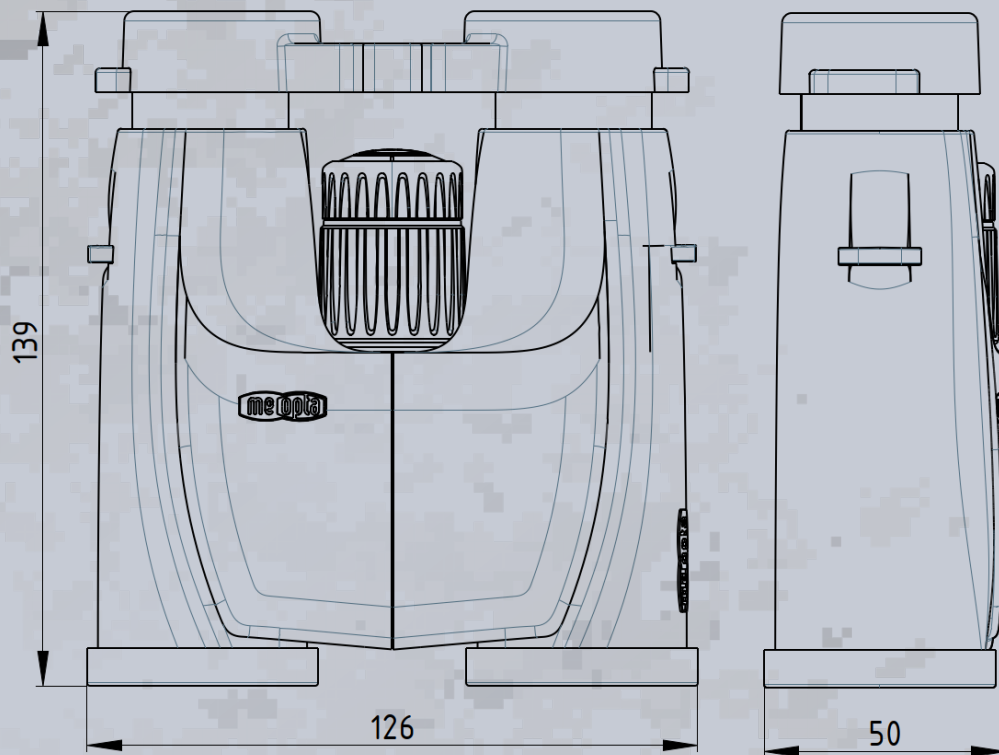
** With covers



MEOPTA SYSTEMS s.r.o.
Kabelíkova 1, 750 02 Přerov
Česká republika

Telefon: +420 581 241 111
E-mail: meopta@meopta.com
www.meopta.com





MEOPTA SYSTEMS s.r.o.
Kabelíkova 1, 750 02 Přerov
Česká republika

Telefon: +420 581 241 111
E-mail: meopta@meopta.com
www.meopta.com



MeoGuard DF 10x42 HD

MeoGuard DF binoculars combine superior optical elements in a compact, mechanically robust and ergonomically designed body. 10x42 HD can be an appropriate aid for observing, whether in an open space or on rugged terrain. The binocular combines outstanding optical properties that ensure a clear image. MeoGuard DF 10x42 HD is exceptionally resistant to moisture, dust, temperature fluctuation and shocks.

Magnification	10x	
Objective Lens Diameter (mm)	42	
Exit Pupil Diameter (mm)	4.2	
Eye Relief (mm)	15	
Reticle (Y/N)	N	
Field Of View (°)	6.3	
Field Of View (m/1000m)	110	
Dioptric Correction (D)	-3	+3
Minimum Focus Distance (m)	3	
Measured Integral Transmission Daylight (%)	min. 88	
Measured Integral Transmission Twilight (%)	min. 84	
Twilight Factor	20.5	
Interpupillary Distance (mm)	59 - 74	
Recoil Resistance (g)	100	
Operational Temperature Range (°C)	-40	+60
Storage Temperature Range (°C)	-45	+70
Moisture Resistance [+23/+40°C] (%)	80/95	
Water Resistance (m/hrs)	1/2	
Dimensions* L x H x W (mm)	155x60x140	
Weight** (g)	950	

FEATURES

- **MEOBRIGHT**
- **MEODROP**
- **WATERPROOF**
- **FOGPROOF**
- **SHOCK RESISTANCE**
- **NITROGEN PURGED**

* With covers, eyepiece extended max. poss., max. interpupillary dist.

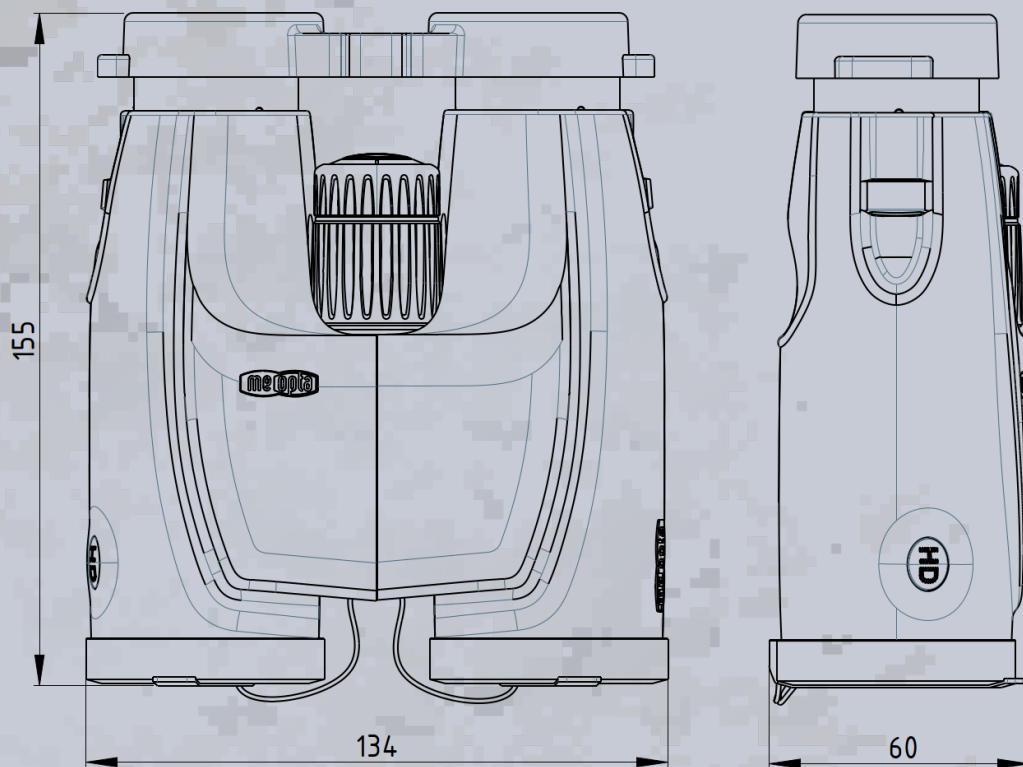
** With covers



MEOPTA SYSTEMS s.r.o.
Kabelíkova 1, 750 02 Přerov
Česká republika

Telefon: +420 581 241 111
E-mail: meopta@meopta.com
www.meopta.com





MEOPTA SYSTEMS s.r.o.
Kabelíkova 1, 750 02 Přerov
Česká republika

Telefon: +420 581 241 111
E-mail: meopta@meopta.com
www.meopta.com



MeoGuard DF 12x50 HD

MeoGuard DF binoculars combine superior optical elements in a compact, mechanically robust and ergonomically designed body. 12x50 HD can be an appropriate aid for observing, whether in an open space or on rugged terrain. The binocular combines outstanding optical properties that ensure a clear image. MeoGuard DF 12x50 HD is exceptionally resistant to moisture, dust, temperature fluctuation and shocks.

Magnification	12x	
Objective Lens Diameter (mm)	50	
Exit Pupil Diameter (mm)	4.2	
Eye Relief (mm)	14.8	
Reticle (Y/N)	N	
Field Of View (°)	5.24	
Field Of View (m/1000m)	91	
Dioptric Correction (D)	-3	+3
Minimum Focus Distance (m)	3.5	
Measured Integral Transmission Daylight (%)	min. 87	
Measured Integral Transmission Twilight (%)	min. 83	
Twilight Factor	24.5	
Interpupillary Distance (mm)	56 - 74	
Recoil Resistance (g)	100	
Operational Temperature Range (°C)	-40	+60
Storage Temperature Range (°C)	-45	+70
Moisture Resistance [+23/+40°C] (%)	80/95	
Water Resistance (m/hrs)	1/2	
Dimensions* L x H x W (mm)	187x63x140	
Weight** (g)	1100	

FEATURES

- **MEOBRIGHT**
- **MEODROP**
- **WATERPROOF**
- **FOGPROOF**
- **SHOCK RESISTANCE**
- **NITROGEN PURGED**

* With covers, eyepiece extended max. poss., max. interpupillary dist.

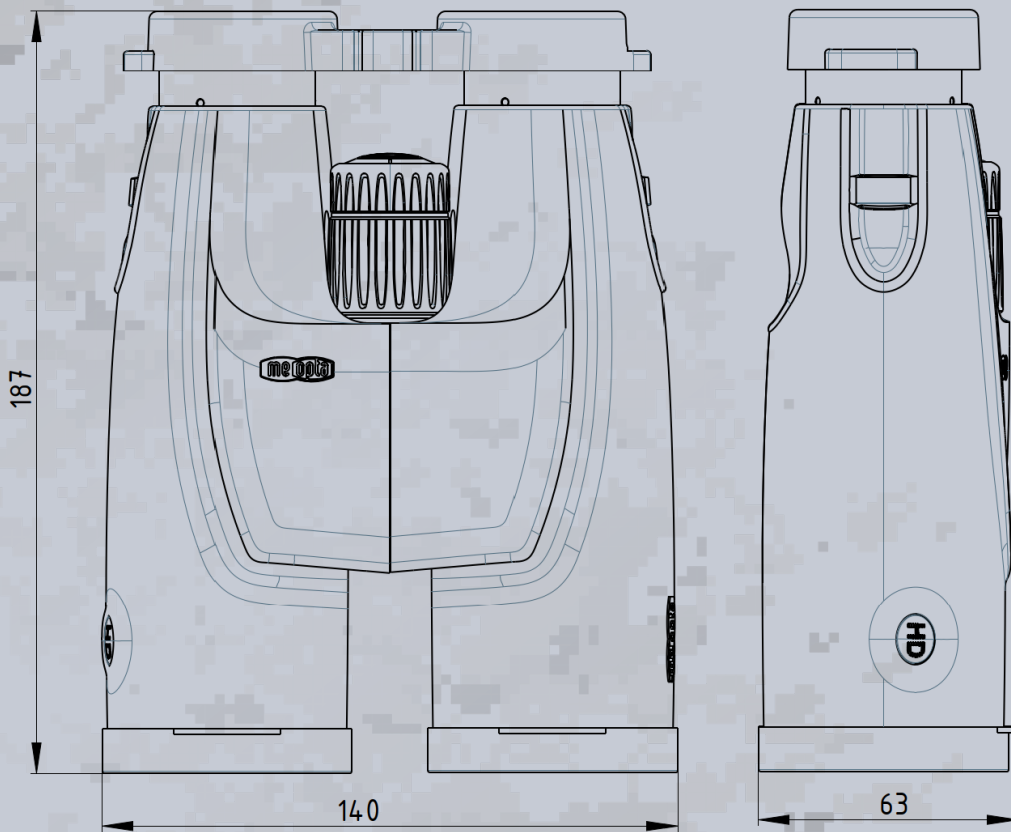
** With covers



MEOPTA SYSTEMS s.r.o.
Kabelíkova 1, 750 02 Přerov
Česká republika

Telefon: +420 581 241 111
E-mail: meopta@meopta.com
www.meopta.com





MEOPTA SYSTEMS s.r.o.
Kabelíkova 1, 750 02 Přerov
Česká republika

Telefon: +420 581 241 111
E-mail: meopta@meopta.com
www.meopta.com



MeoGuard DFX 10x42 LRF

MeoGuard DFX 10x42 LRF with the integrated laser rangefinder can be an appropriate aid for determining the exact distance of the target, whether in an open space or on rugged terrain. In addition to the rangefinder, the binocular combines outstanding optical properties that ensure a clear image. MeoGuard DFX 10x42 LRF is exceptionally resistant to moisture, dust, temperature fluctuation and shocks.

Magnification	10x	
Objective Lens Diameter (mm)	42	
Exit Pupil Diameter (mm)	4.2	
Eye Relief (mm)	17	
Reticle (Y/N)	N	
Field Of View (°)	6.2	
Field Of View (m/1000m)	108	
Dioptric Correction (D)	-4	+3
Minimum Focus Distance (m)	4	
Measured Integral Transmission Daylight (%)	L 85	R 80
Measured Integral Transmission Twilight (%)	L 82	R 82
Twilight Factor	20.5	
Interpupillary Distance (mm)	54 - 76	
Recoil Resistance (g)	100	
Power Supply (V)	3	
Battery Lifetime* (no of measurements)	min. 1 200	
Automatic Shut Down (Y/N/sec.)	Y/10	
Laser Wavelength (nm)	905	
Measurable Distance - reflective target (m)	12 - 2380	
Measure Accuracy up to 1000m (m)	±1	
Measure Accuracy over 1000m (m)	±2	
Max Angle Reading (°)	±65	
Measure Accuracy Up to ± 30° (°)	±1	
Laser Class	1	
Mark Brightness (cd/m²)	2 000	
Operational Temperature Range (°C)	-25	+55
Storage Temperature Range (°C)	-40	+70
Moisture Resistance [+40°C] (%)	92	
Water Resistance (m/hrs)	1/2	
Dimensions** L x H x W (mm)	154 x 84 x 154	
Weight*** (g)	992	

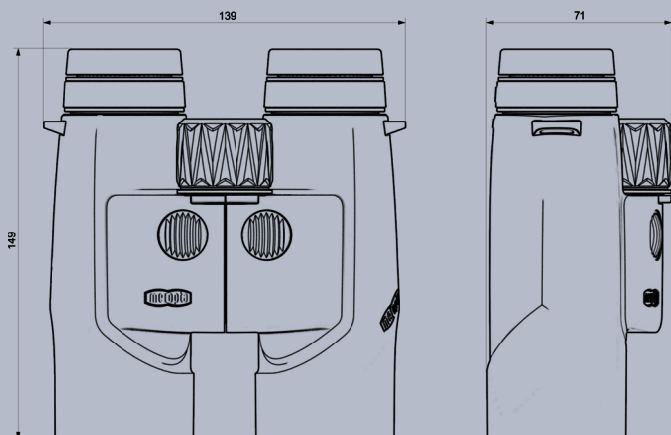
FEATURES

- MEOLUX
- MEODROP
- WATERPROOF
- FOGPROOF
- EQUIVALENT HORIZONTAL RANGE
- ELEVATION MEASUREMENTS
- NITROGEN PURGED

* 1pc - 3 V, size CR 2 and ambient temperature +20°C

** With covers

*** With covers and batteries



MEOPTA SYSTEMS s.r.o.
Kabelíkova 1, 750 02 Přerov
Česká republika

Telefon: +420 581 241 111
E-mail: meopta@meopta.com
www.meopta.com





MEOPTA SYSTEMS s.r.o.
Kabelíkova 1, 750 02 Píerov
Česká republika

Telefon: +420 581 241 111
E-mail: meopta@meopta.com
www.meopta.com



MeoGuard DF S2

MeoGuard DF S2 is full-sized, premium spotting scope with 82 mm HD objective. Lenses deliver crisp, brilliant true color resolution for long distance observing. High integral transmission allows observation and recognition of details of the observed object even in poor visibility conditions.

Type (A/S)	Angled	Straight
Objective Lens Diameter (mm)	82	
Objective Lens Focal Length (mm)	439	
Minimal Focusing Distance* (m)	max. 4.2	
Diopter focusing beyond infinity** (D)	5.5	
Measured Integral Transmission Daylight*** (%)	92	
Measured Integral Transmission Twilight*** (%)	88	
Tripod Thread (inch)	1/4-20. 3/8-16	
Recoil Resistance (g)	100	
Operational Temperature Range (°C)	-40	+60
Storage Temperature Range (°C)	-45	+71
Moisture Resistance [+23/+40°C] (%)	80/98	
Water Resistance (m/hrs)	1/0.5	
Dimensions**** L x H x W (mm)	404x152x100	419x118x100
Weight***** (g)	max. 1845	max. 1870

- * For magnification 20x
- ** For magnification 20x
- *** With eyepiece for magnification 40x
- **** With covers, with eyepiece inserted
- ***** With covers, with eyepiece

Eyepiece	30-60x WA		20-70x	
	min	max	min	max
Eyepiece Focal Length (mm)	14.6	7.3	21.8	6.3
Field Of View (°)	2.53	1.2	2.35	0.93
Eye Relief (mm)	18	18	18	18
Length* (mm)	116		118	
Weight (g)	345		337	

- * With eyepiece extended



FEATURES

- **MEOBRIGHT**
- **MEODROP**
- **HD OPTICS**
- **SUNSHADE WITH AIMING POINT**
- **CENTRAL FOCUSING**
- **AL/MG BODY**
- **ERGONOMIC SHAPE**
- **NITROGEN PURGED**
- **WATERPROOF**

OPTIONAL ACCESSORIES:

- **MEOPIX**
- **TRIPOD**
- **NEOPRENE SHEATH**



MEOPTA SYSTEMS s.r.o.
Kabelíkova 1, 750 02 Přeřov
Česká republika

Telefon: +420 581 241 111
E-mail: meopta@meopta.com
www.meopta.com

Tripods

for MeoGuard DF S2 20-70x



Manfrotto - aluminium

Working range	10-170 cm
Weight	13,5 kg
Payload	4 kg

Tactical tripod S - carbon

Working range	16-60 cm
Weight	0,75 kg
Payload	15 kg



Tactical tripod XL - carbon

Working range	19-167 cm
Weight	1,65 kg
Payload	15 kg



MeoDot DF 1

MeoDot DF 1 is one of the smallest but most powerful red dot sights available on the market. It is a universal sight for any weapon in every environment. Compact reflex sight designed as back up optical sight (BUOS) for rifles fitted with main riflescopes with high magnification like sniper rifles (SR) or designated marksman rifles (DMR) on the top of the front mounts ring or angled picatinny rail. It's very thin frame allows the operator to have a good overview with both eyes open of a target zone blocking very limited part of field of view. Also can be mount as optical sight for shot gun or submachine gun (SMG).

Magnification	1x	
Objective Lens Diameter (mm)	15.8x23.6	
Dot Brightness* (cd/m ²)	min. 7 000	
Vertical range (MOA)	min. 180	
Rectification - Vertical step (MOA)	22/360°	
Horizontal range (MOA)	min. 160	
Rectification - Horizontal step (MOA)	22/360°	
Recoil Resistance (g)	500	
Dot Size/color (MOA)	3-5/Red	
Dot Illumination Levels (Day/Night)	8/8	
Manual Intesity Mode (Y/N)	Y	
Power Supply (Type/V)	6 (2xCR 1632)	
Battery Lifetime** (hrs)	min. 520	
Automatic Shut Down (Y/N/hrs)	Y/3	
Operational Temperature Range (°C)	-40	+55
Storage Temperature Range (°C)	-45	+71
Moisture Resistance [+23/+40°C] (%)	80/95	
Water Resistance (m/hrs)	1/2	
Dimensions*** L x H x W (mm)	59x51x45	
Weight**** (g)	160	

FEATURES

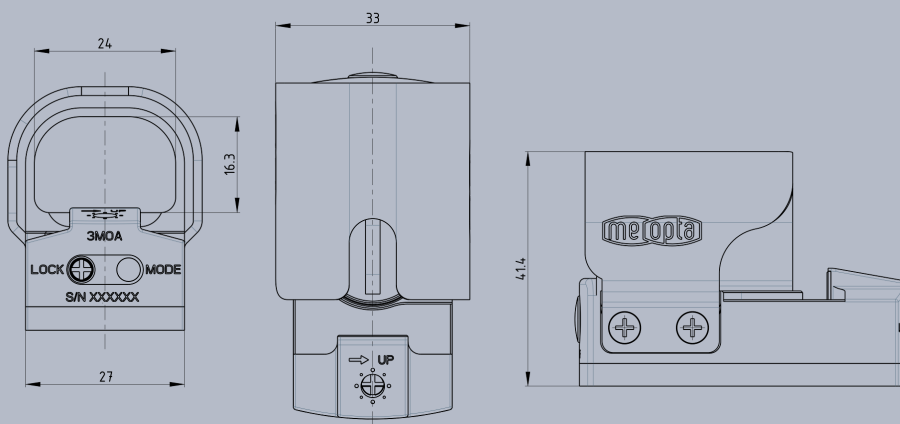
- WATERPROOF
- SHOCKPROOF
- MEOBRIGHT
- MEODROP

* max. intensity level day, ambient temperature +20°C

** 2pcs - 3 V, size CR 1632, 130 mAh and ambient temperature +20°C, medium level of intensity

*** With mount

**** With mount and batteries



MEOPTA SYSTEMS s.r.o.
Kabelíkova 1, 750 02 Přerov
Česká republika

Telefon: +420 581 241 111
E-mail: meopta@meopta.com
www.meopta.com



MEOPTA SYSTEMS s.r.o.
Kabelíkova 1, 750 02 Přeřov
Česká republika

Telefon: +420 581 241 111
E-mail: meopta@meopta.com
www.meopta.com



MeoForce DF 4-16x44

MeoForce with variable 4-16x magnification is rifle scope for designated marksman rifle (DMR) or sniper rifles (SR) which follows current trends and user's requirements to be used along with most of long barrel bolt action or semi auto rifles for medium range engagement. It's also right option for rimfire rifles, with parallax adjustable from 9m (10 yds). The red illuminated reticle allows using the system in various light condition combined with red dot on the mounts front ring and with additional clip-on NV device during night time operations.

Magnification	4x	16x
Objective Diameter (mm)	44	
Exit Pupil Diameter (mm)	11.0	2.8
Eye Relief (mm)	min. 80	
Main Tube Size (mm)	30	
Field Of View (°)	4.88	1.36
Field Of View (m/100m)	8.5	2.4
Focal Plane Position	2	
Dioptric Correction (D)	-3	+3
Parallax Correction (m)	9	∞
Measured Integral Transmission Daylight (%)	94	
Measured Integral Transmission Twilight (%)	91	
Recoil Resistance (g)	500	
Vertical range (MOA)	min. 40	
Vertical step/100m (cm)	0.5	
Horizontal range (MOA)	min. 30	
Horizontal step/100m (cm)	0.5	
Reticle Illumination (Y/N)	Y	
Reticle Brightness* (cd/m ²)	min. 6	
No. Of Intensity Levels	7	
Power Supply (V)	3 (CR2354/CR2032)	
Battery Lifetime** (hrs)	min. 80	
Automatic Shut Down (Y/N/hrs)	N	
Operational Temperature Range (°C)	-40	+55
Storage Temperature Range (°C)	-45	+70
Moisture Resistance [+23/+40°C] (%)	92	
Water Resistance (m/hrs)	2/2	
Dimensions*** L x H x W (mm)	396x77x88	
Weight**** (g)	850	

- * max. intensity level
- ** 1pc - CR 2354 3V and ambient temperature +20°C/medium intensity of luminosity
- *** With covers, exepiece extended to max. pos.
- **** With covers and battery

FEATURES

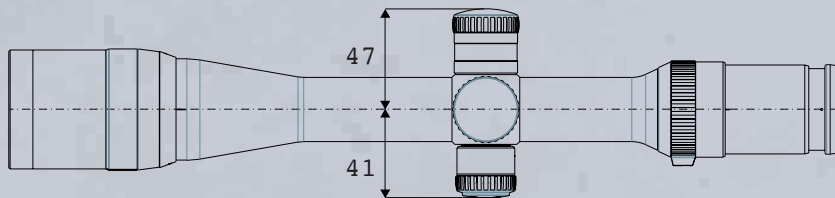
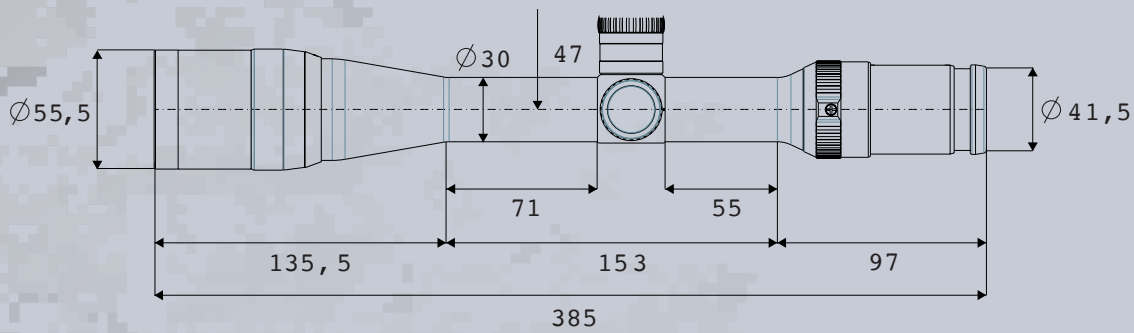
- **MEOBRIGHT**
- **MEOSHIELD**
- **ETCHED GLASS RETICLE**
- **WATERPROOF**
- **FOGPROOF**
- **SHOCKPROOF**



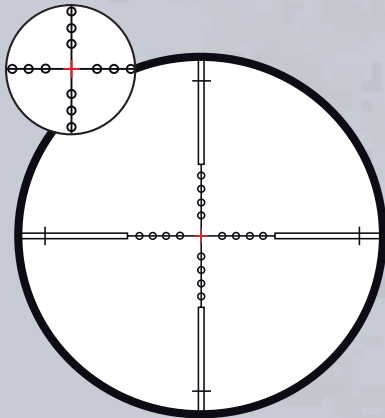
MEOPTA SYSTEMS s.r.o.
Kabelíkova 1, 750 02 Přerov
Česká republika

Telefon: +420 581 241 111
E-mail: meopta@meopta.com
www.meopta.com



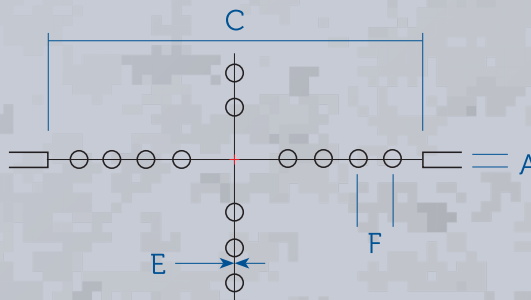


TYPE OF RETICLES



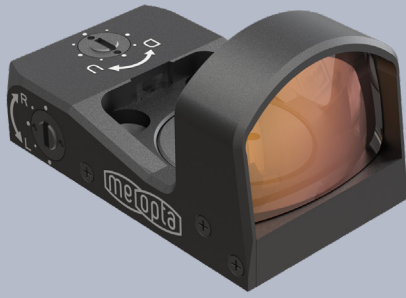
MILDOT - SPECIAL

Dimensions (mRad)			
A	C	E	F
0.2	6.4	0.02	1
Dimensions Are Valid For 14X Power			



MEOPTA SYSTEMS s.r.o.
Kabelíkova 1, 750 02 Přerov
Česká republika

Telefon: +420 581 241 111
E-mail: meopta@meopta.com
www.meopta.com



MeoDot DFX Micro1

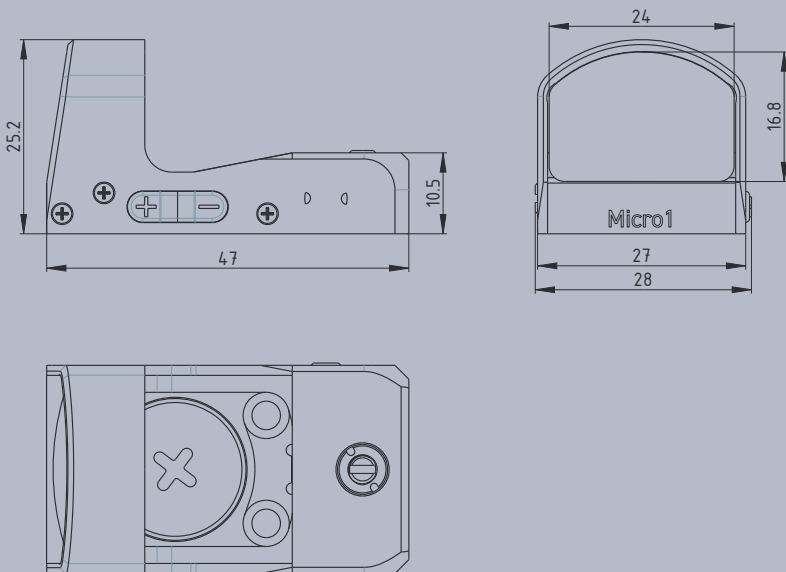
Compact reflex sight designed for pistol. Also can be used as back up optical sight (BUOS) for rifles fitted with main riflescope with high magnification like sniper rifles (SR) or designated marksman rifles (DMR) on the top of the front mounts ring or angled picatinny rail. It's very thin frame allows the operator to have a good overview with both eyes open of a target zone blocking very limited part of field of view. Also can be mount as optical sight for shot gun.

Magnification	1x	
Objective Diameter (mm)	24x17	
Dot Brightness* (cd/m ²)	65 000	
Vertical range (MOA)	100	
Rectification - Vertical step (MOA)	35/360°	
Horizontal range (MOA)	100	
Rectification - Horizontal step (MOA)	35/360°	
Recoil Resistance (g)	800	
Dot Size/color (MOA)	≤3/Red	
Dot Illumination Levels (Day/Night)	Continuous	
Manual Intesity Mode (Y/N)	Y	
Power Supply (Type/V)	3 (1xCR 1632)	
Battery Lifetime** (hrs)	30 000	
Motion sensor (Y/N/g)	Y/0.1	
Automatic Shut Down (Y/N/hrs)	Y/14	
Operational Temperature Range (°C)	-25	+60
Storage Temperature Range (°C)	-35	+71
Moisture Resistance [+23/+40°C] (%)	92	
Water Resistance (m/hrs)	1/0.5	
Dimensions L x H x W*** (mm)	47 x 49 x 28	
Weight**** (g)	60	

FEATURES

- ➔ **WATERPROOF**
- ➔ **SHOCKPROOF**
- ➔ **MEOBRIGHT**
- ➔ **MEODROP**

- * max. intensity level day, ambient temperature +20°C
- ** 1pc - 3 V, size CR 1632, 140 mAh and ambient temperature +20°C, 2nd day level of intensity
- *** With mount
- **** With mount and battery



MEOPTA SYSTEMS s.r.o.
Kabelíkova 1, 750 02 Přeřov
Česká republika

Telefon: +420 581 241 111
E-mail: meopta@meopta.com
www.meopta.com

