



# MeoForce DF 5-30x56

MeoForce DF 5-30x56 is primarily intended for precision shooting from bolt action sniper rifles (SR) of different calibers for long distances but it will be appreciated also on any other weapons systems where the high precision and reliability is a must. The red illuminated reticle allows using the system in various light condition and with additional clip-on NV device during night time operations.

Magnification	5x	30x
Objective Diameter (mm)	56	
Exit Pupil Diameter (mm)	9.5	1.87
Eye Relief (mm)	min. 90	
Main Tube Size (mm)	34	
Field Of View (°)	4.2	0.7
Field Of View (m/100m)	7.4	1.2
Focal Plane Position	1	
Dioptric Correction (D)	-3.5	+2.5
Parallax Correction (m)	25	∞
Measured Integral Transmission Daylight (%)	min. 90	
Measured Integral Transmission Twilight (%)	min. 87	
Recoil Resistance (g)	500	
Vertical range (MOA)	min. 100	
Vertical step/100m (mrad)	0.1	
Horizontal range (MOA)	min. 55	
Horizontal step/100m (mrad)	0.1	
Reticle Illumination (Y/N)	Y	
Reticle Brightness* (cd/m <sup>2</sup> )	min. 24	
No. Of Intensity Levels (Day/Night)	8(7/1)	
Power Supply (V)	3 (CR2450)	
Battery Lifetime** (hrs)	min. 300	
Automatic Shut Down (Y/N/hrs)	Y/3	
Operational Temperature Range (°C)	-40	+60
Storage Temperature Range (°C)	-45	+71
Moisture Resistance [+23/+40°C] (%)	80/98	
Water Resistance (m/hrs)	2/2	
Dimensions*** L x H x W (mm)	426 x 89 x 97	
Weight**** (g)	1095	

- \* max. intensity level
- \*\* 1pc - CR 2354 3V and ambient temperature +20°C/medium intensity of luminosity
- \*\*\* Without covers
- \*\*\*\* Without covers with battery

## FEATURES

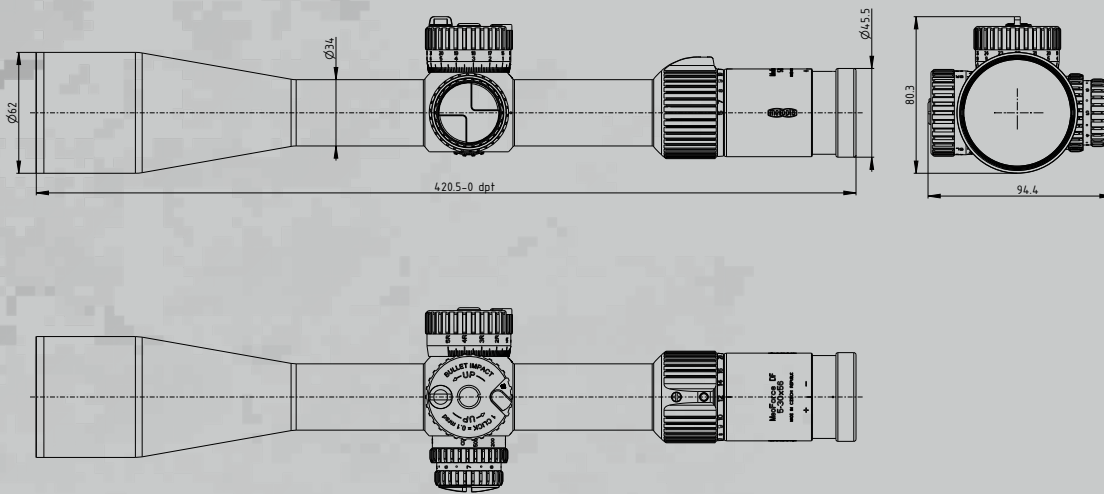
- **MEOBRIGHT**
- **MEOSHIELD**
- **NITROGEN PURGED**
- **ZEROSTOP**
- **ETCHED GLASS RETICLE**
- **WATERPROOF**
- **FOGPROOF**
- **SHOCKPROOF**



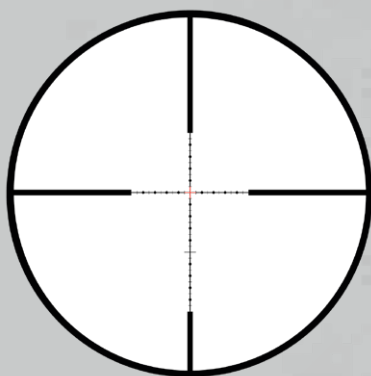
**MEOPTA SYSTEMS s.r.o.**  
Kabelíkova 1, 750 02 Přerov  
Česká republika

Telefon: +420 581 241 111  
E-mail: meopta@meopta.com  
www.meopta.com

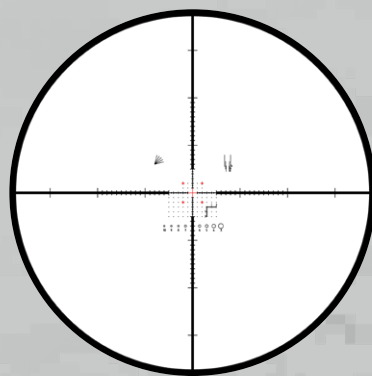




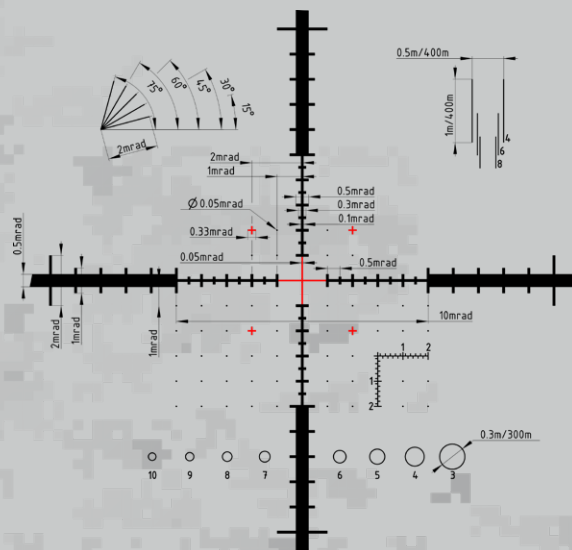
**TYPE OF RETICLES**



MILDOT 3



MILDOT 5



**MEOPTA SYSTEMS s.r.o.**  
 Kabelíkova 1, 750 02 Přerov  
 Česká republika

Telefon: +420 581 241 111  
 E-mail: meopta@meopta.com  
 www.meopta.com